

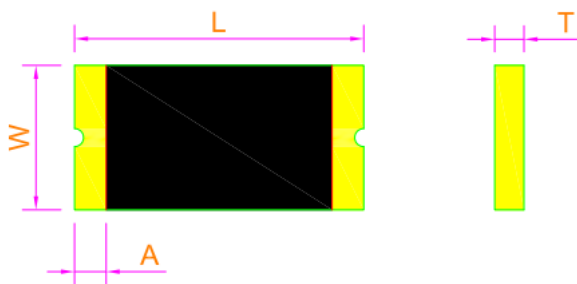
Maswell WiFi/Bluetooth Chip Antenna

AN_W_CA_3216_P01

1、 Introduction

Maswell Microwave Chip Antenna series are designed to be used in WLAN、 WiFi、 Bluetooth、 PHS applications. All the models are of compact size and are engineered for SMD chip design.

2、 Dimensions 3216 Foot Print (Unit: mm)

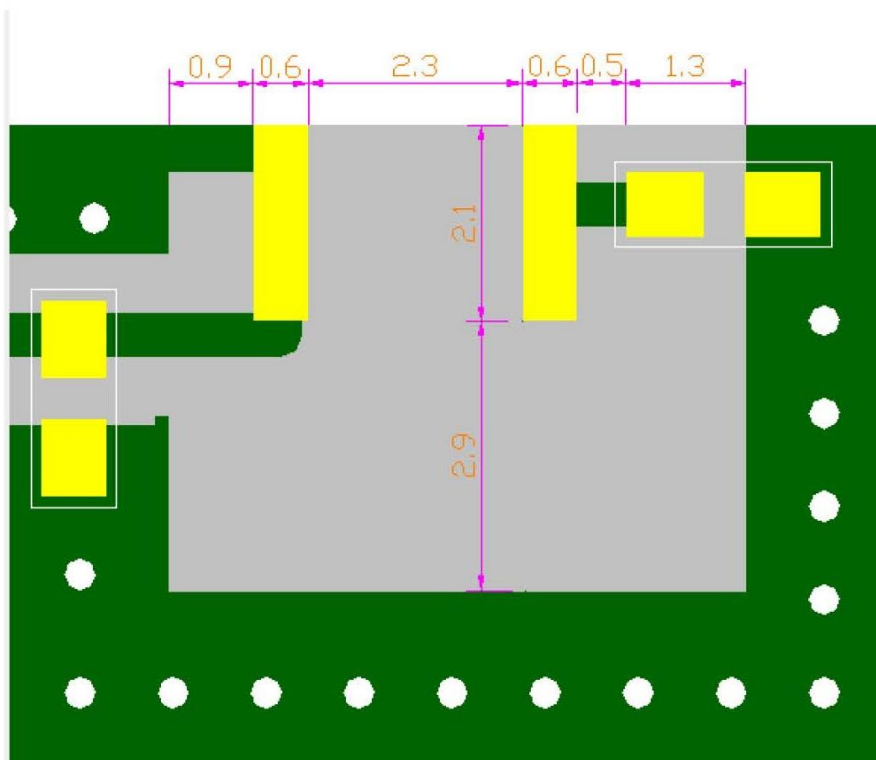
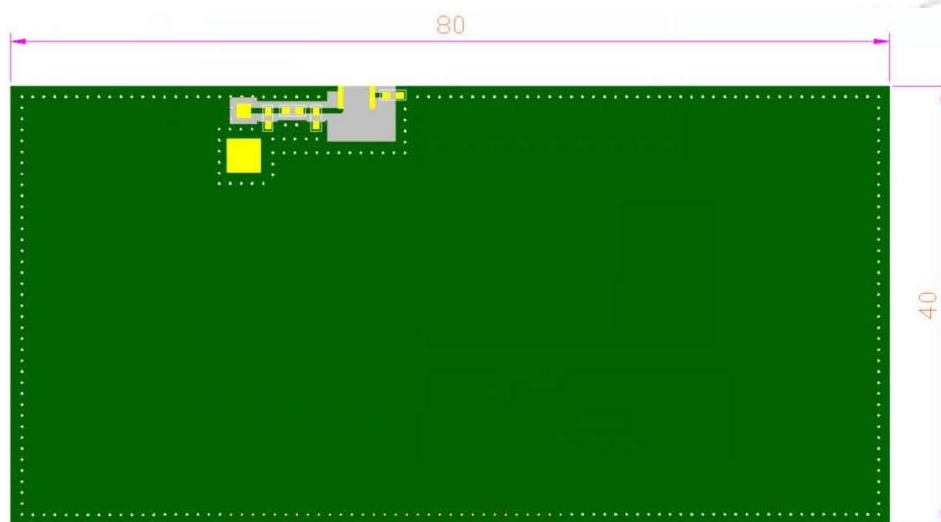


Dimension(mm)	
L	3.2±0.1
W	1.6±0.1
T	0.4±0.05
A	0.35±0.05

Maswell WiFi/Bluetooth Chip Antenna

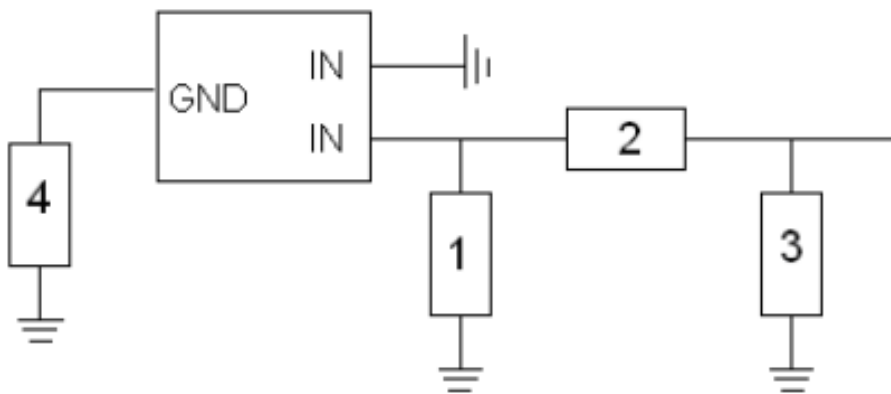
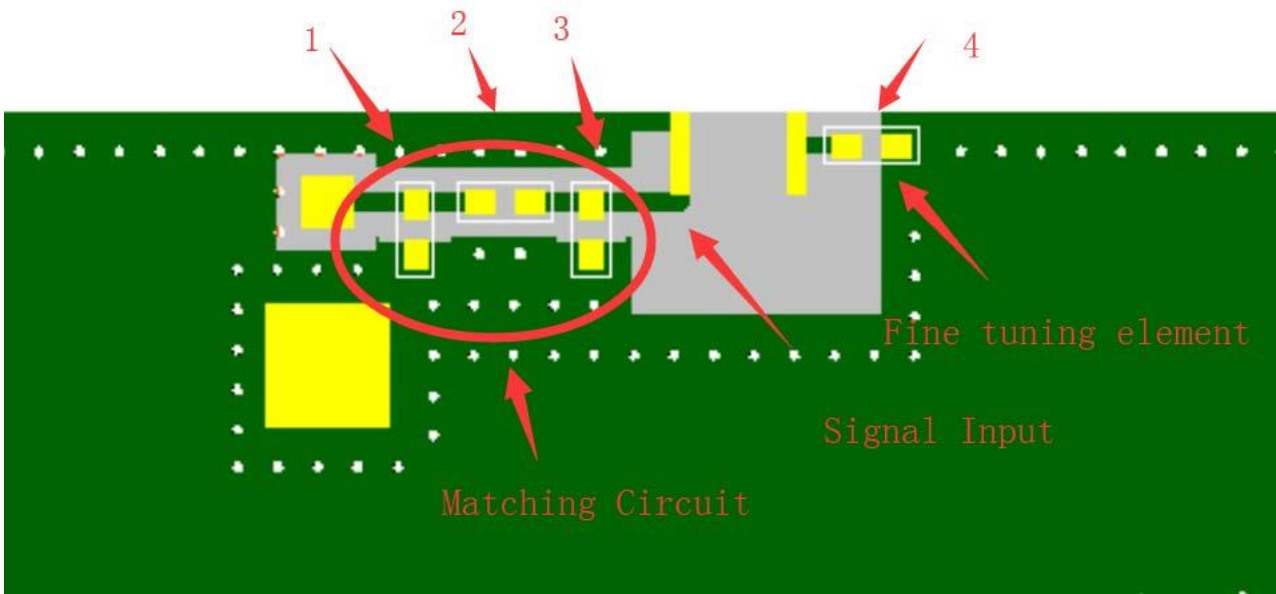
AN_W_CA_3216_P01

3、 Evaluation Board and Matching Circuits 3216 Foot Print



Maswell WiFi/Bluetooth Chip Antenna

AN_W_CA_3216_P01



Maswell WiFi/Bluetooth Chip Antenna

AN_W_CA_3216_P01

Location	Description
1	N/A
2	0Ω
3	N/A
4	1.6pF

4、Electrical Characteristics

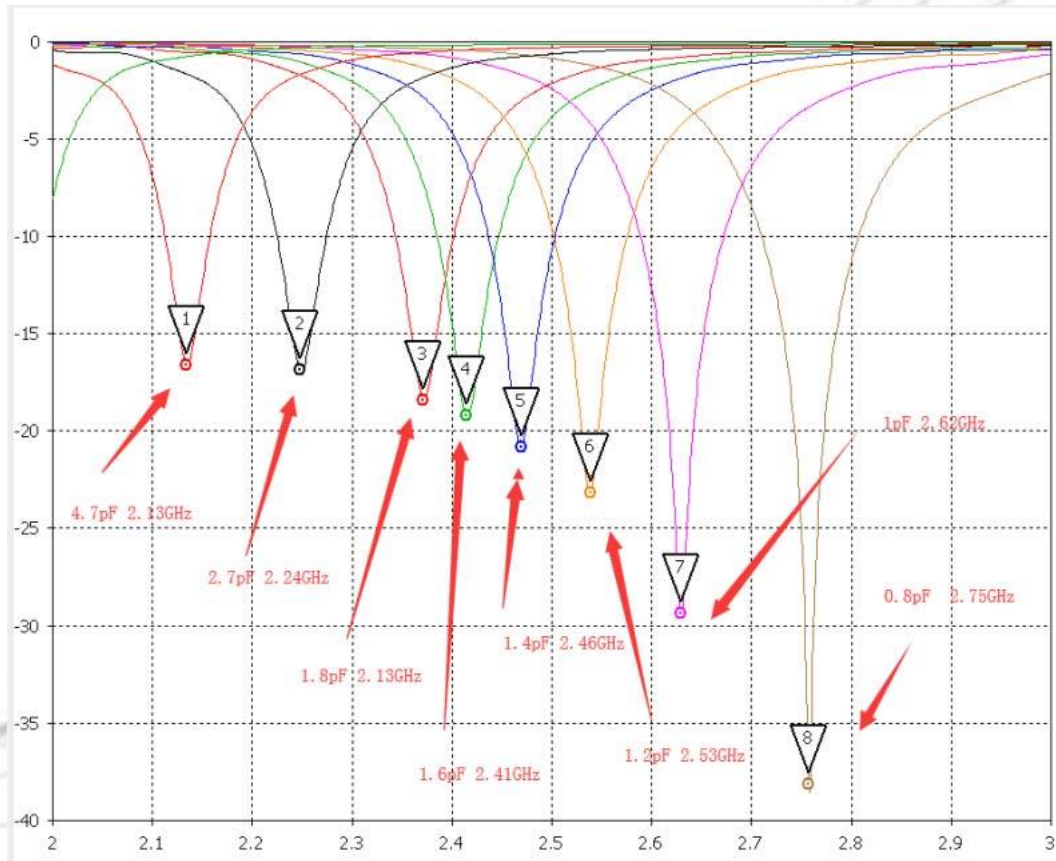
No.	Item	Specifications
1	After Matching	2400~2500MHz
2	Band Width	100MHz typ.
3	Peak Gain	2dBi
4	V.S.W.R	≤2.0
5	Polarization	Linear
6	Azimuth Beam Width	Omni-directional
7	Impedance	50Ω

Maswell WiFi/Bluetooth Chip Antenna

AN_W_CA_3216_P01

5、Return Loss

Reference for frequency tuning element

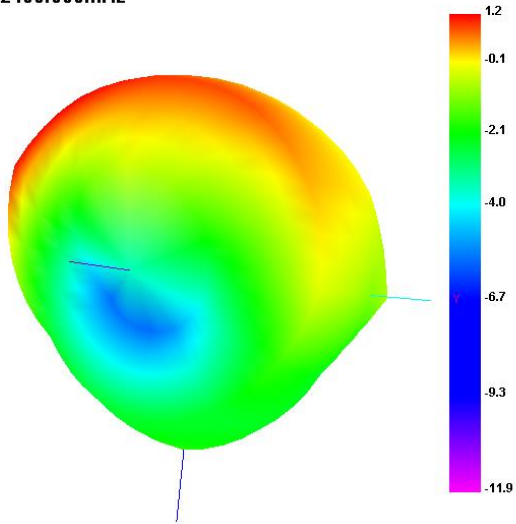


Maswell WiFi/Bluetooth Chip Antenna

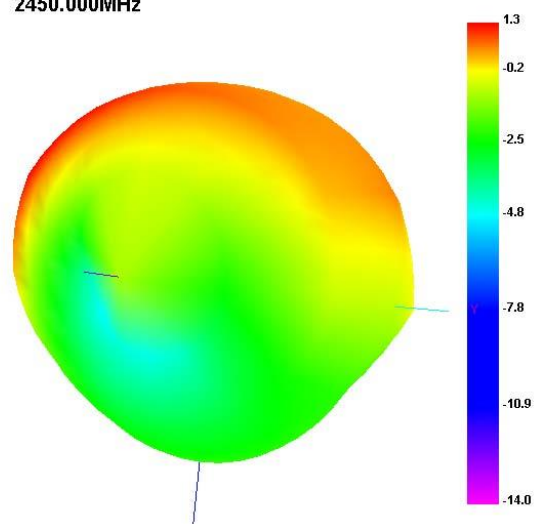
AN_W_CA_3216_P01

6、Radiation Patterns

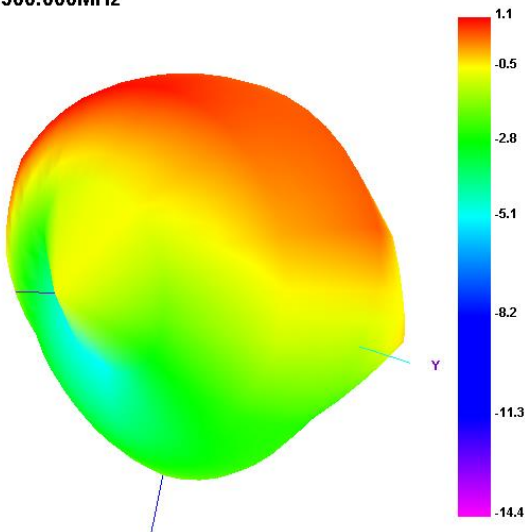
2400.000MHz



2450.000MHz



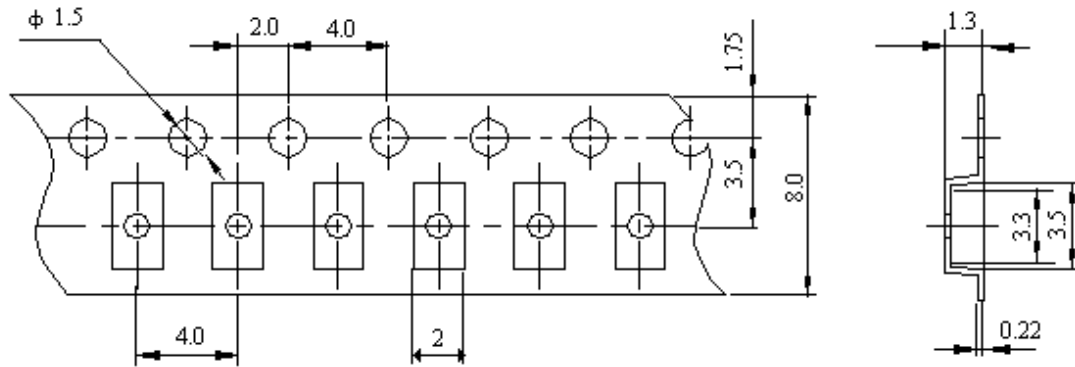
2500.000MHz



Maswell WiFi/Bluetooth Chip Antenna

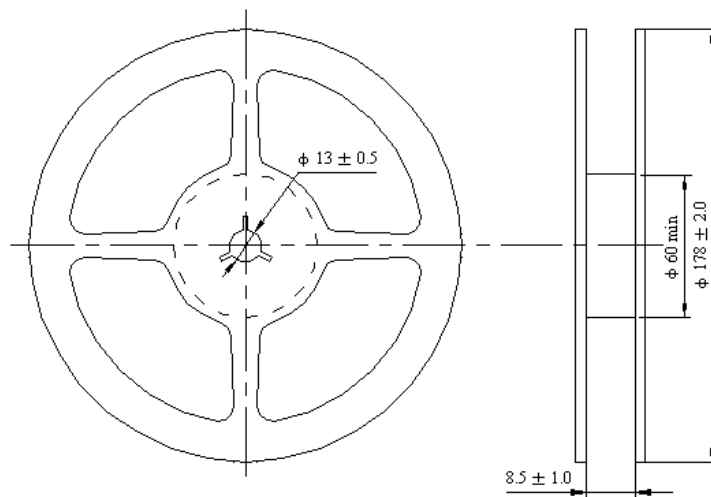
AN_W_CA_3216_P01

7、Packaging and Dimensions



Remarks for Package:

Reserve a length of 150~200mm for the trailer of the carrier and 250~300 mm for the leader of the carrier and further 250mm of cover tape at the leading part of the carrier.



Storage Period:

Oxidizable, 60 months in vacuum sealed bag . Material, please repack within 168 hours by re-seal the package treatment after use them.

Storage Temperature Range : <30 degree C, Humidity : <60%RH