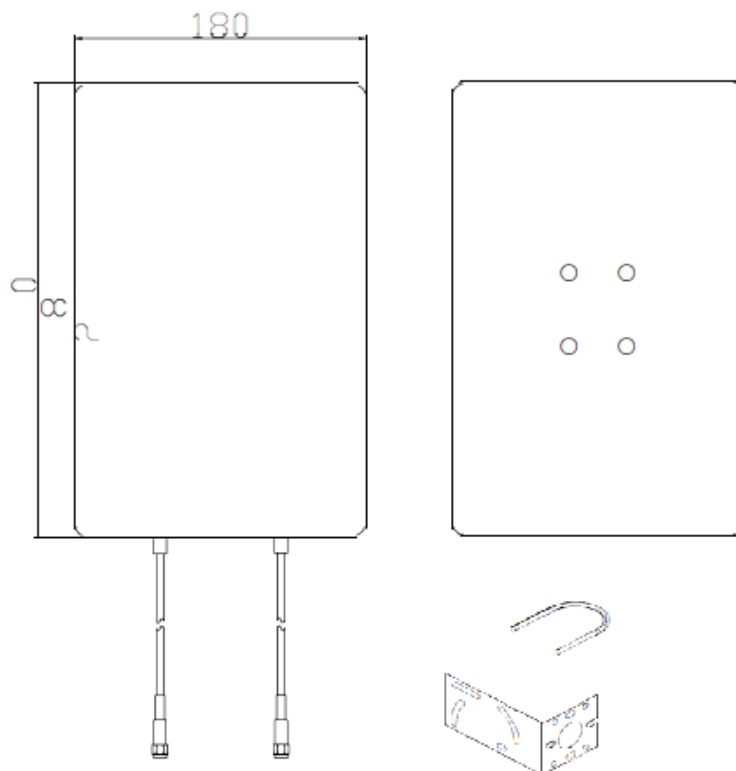


4G LTE MIMO High Gain Panel Antenna 700-2700MHz

AN_GSM_201_MIMO



Mechanical dimension



4G LTE MIMO High Gain Panel Antenna 700-2700MHz

Specifications

Item	Specifications	
4G LTE Antenna MAIN	Frequency Range	698~960MHz/1710~2690MHz
	V.S.W.R	<2.0
	Polarization	Linear
	Gain	10.0dBi (Zenith)
	Impedance	50Ω
4G LTE Antenna AUX	Frequency Range	698~960MHz/1710~2690MHz
	V.S.W.R	<2.0
	Polarization	Linear
	Gain	10.0dBi (Zenith)
	Impedance	50Ω
Mechanical	Cable	RG58 2.6 meters
	Connector	SMA or others
	Material	ABS
	Mounting Method	Screw
Environmental	Operating Temperature	-40°C ~+85°C
	Relative Humidity	Up to 95%
	Ingress Protection	IP66(exclude cable outlet)
	Vibration	10 to 55Hz with 1.5mm amplitude 2hours
	Environmentally Friendly	ROHS Compliant

4G LTE MIMO High Gain Panel Antenna 700-2700MHz

Measurement Results



Measured S11, S22 and Isolation S21