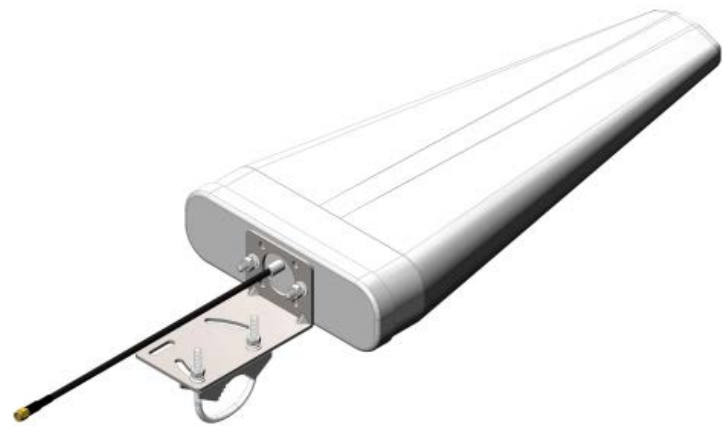
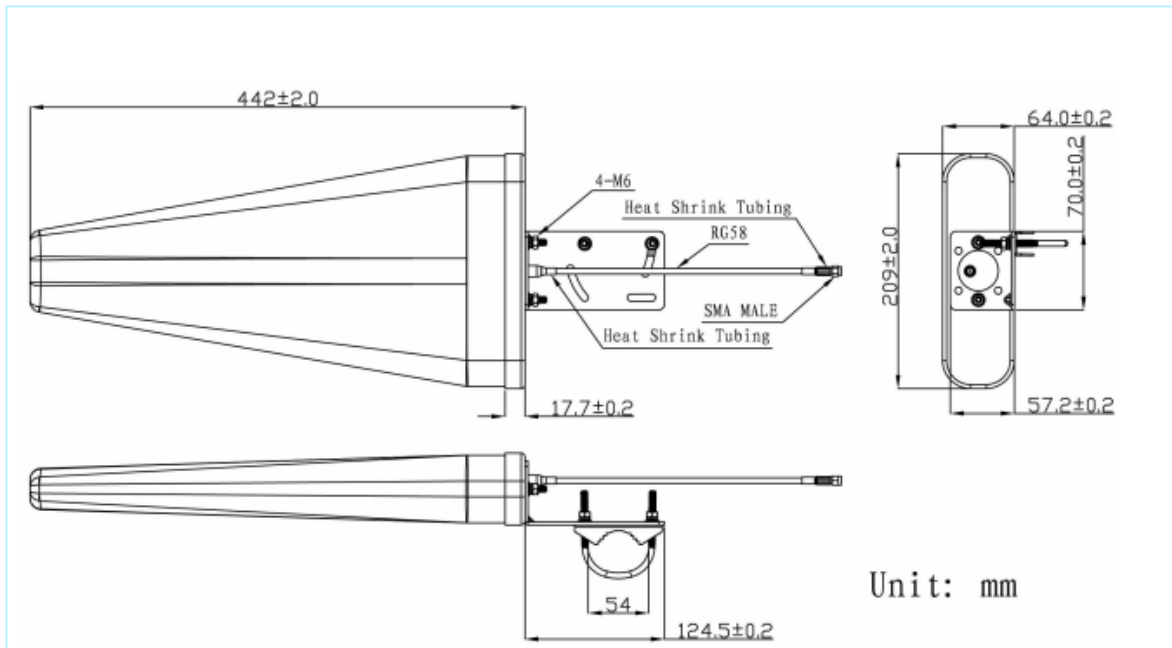


## Maswell WIFI&GSM Antenna

AN\_GSM\_101



### Mechanical dimension



## Maswell WIFI&GSM Antenna

### Specifications

Item	Specifications	
WIFI&GSM Antenna	Frequency Range	800~2500MHz
	Polarization	Linear
	Gain	11dBi
	V.S.W.R	<2.0
	Impedance	50Ω
Mechanical	Cable	RG58
	Connector	N/SMA or others
	Mounting Method	Screw
	Radome Material	ABS
Environmental	Operating Temperature	-40°C ~ +85°C
	Relative Humidity	Up to 95%
	Environmentally Friendly	ROHS Compliant

# Maswell WIFI&GSM Antenna

## Radiation Patterns

