

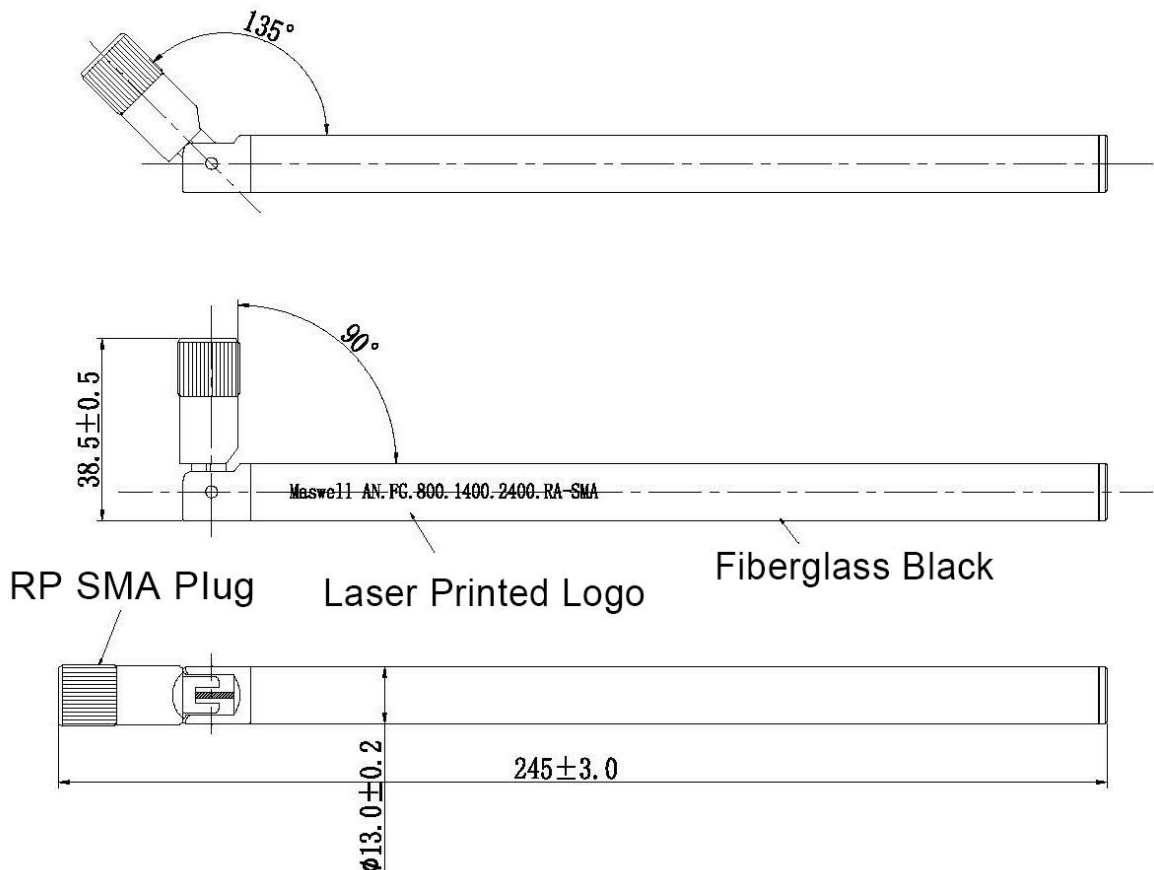


# Maswell WiFi/Bluetooth/Zigbee Fiberglass Antenna 2.4GHz/5.8GHz Dual Band High Gain

AN.FG.WIFI.2400.5800.SMA-Slim



## Mechanical dimension



Suzhou maswell communication technology co. Ltd

Add: Floor 3, Building 6, No. 88 Zhenbei Road, High-tech District, Suzhou 215153, Jiangsu, China

[Http://www.maswelltech.com](http://www.maswelltech.com)

E-mail: [Sales@maswelltech.com](mailto:Sales@maswelltech.com)



# Maswell WiFi/Bluetooth/Zigbee Fiberglass Antenna 2.4GHz/5.8GHz Dual Band High Gain

**AN.FG.WIFI.2400.5800.SMA-Slim**

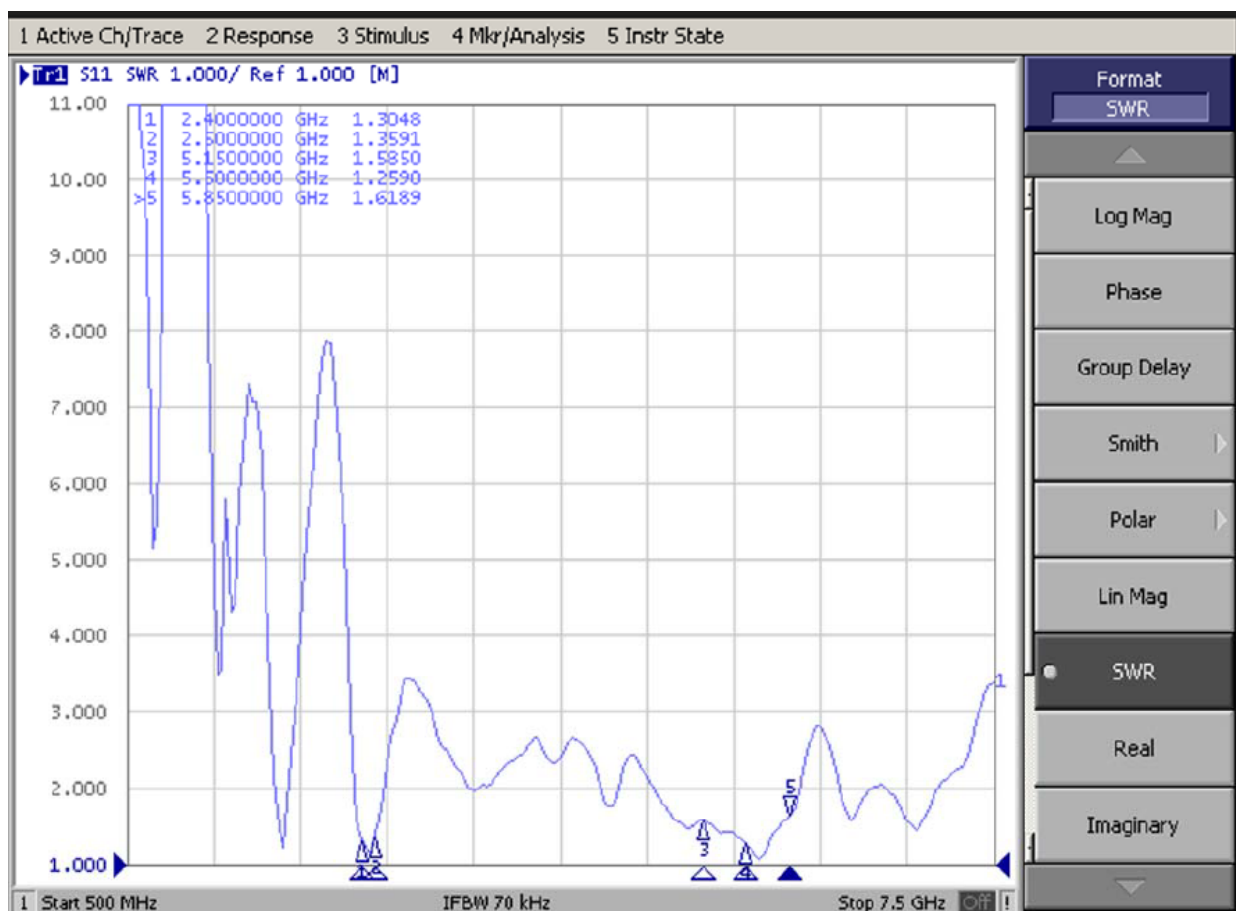
## Specifications

Item		Specifications
Antenna	Frequency Range	2400~2500 MHz /5150~5850 MHz
	Gain	2.4GHz: 5dBi 5.8GHz: 3dBi
	Impedance	50 Ohm
	Efficiency	>70%
	Polarization	Line
	V.S.W.R	<2
Mechanical	Dimension	215mm*15mm
	Antenna Color	Black
	Radome Material	Fiberglass
	Connector Type	RP SMA Plug
Environmental	Operating Temperature	-40°C~+85°C
	Storage Temperature	-40°C~+85°C
	Water Proof	Yes
	Dust Proof	Yes
	Anti-corrosion	Yes
	Environmentally Friendly	ROHS Compliant

# Maswell WiFi/Bluetooth/Zigbee Fiberglass Antenna 2.4GHz/5.8GHz Dual Band High Gain

**AN.FG.WIFI.2400.5800.SMA-Slim**

## S11 Test Performance

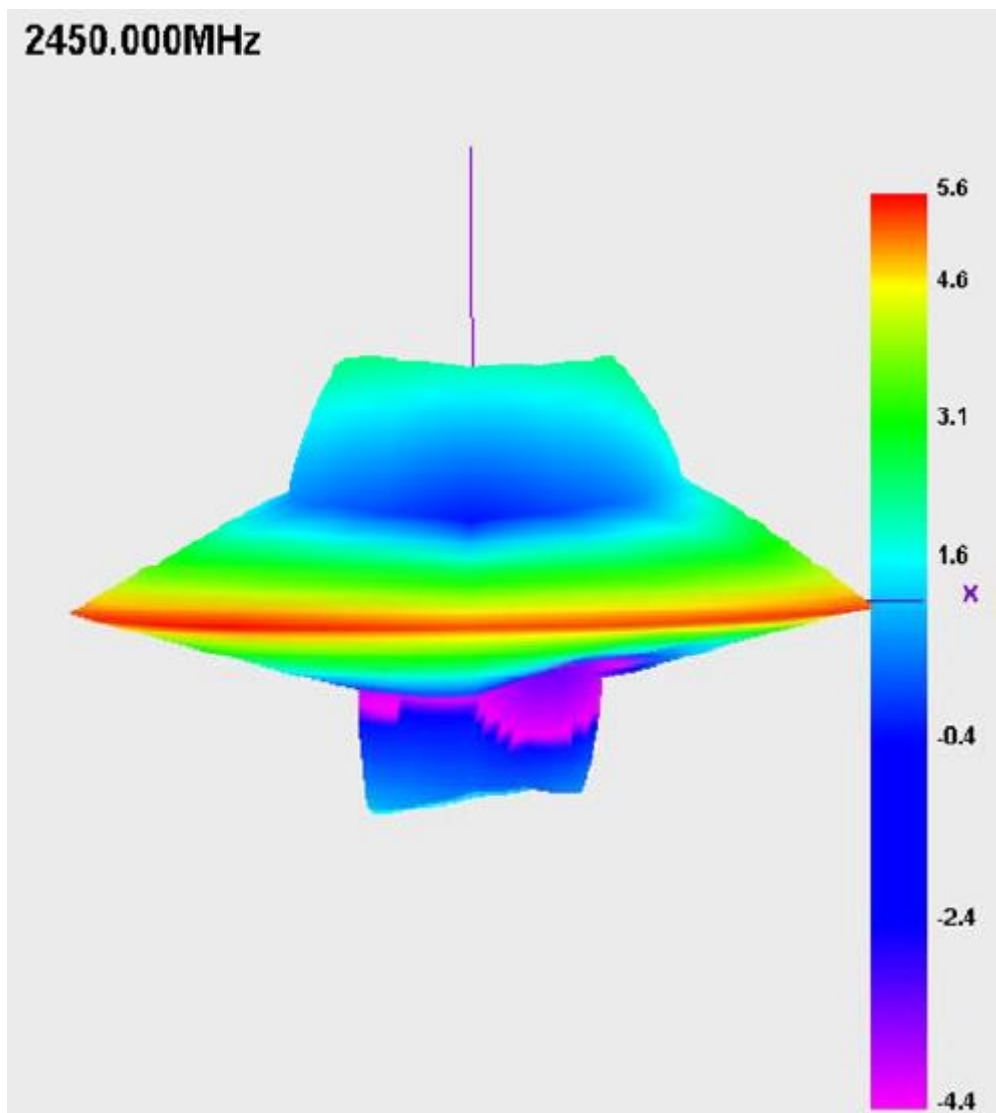




# Maswell WiFi/Bluetooth/Zigbee Fiberglass Antenna 2.4GHz/5.8GHz Dual Band High Gain

AN.FG.WIFI.2400.5800.SMA-Slim

Radiation Pattern:2.4GHz band



Suzhou maswell communication technology co. Ltd

Add: Floor 3, Building 6, No. 88 Zhenbei Road, High-tech District, Suzhou 215153, Jiangsu, China

[Http://www.maswelltech.com](http://www.maswelltech.com)

E-mail: [Sales@maswelltech.com](mailto:Sales@maswelltech.com)

# Maswell WiFi/Bluetooth/Zigbee Fiberglass Antenna 2.4GHz/5.8GHz Dual Band High Gain

AN.FG.WIFI.2400.5800.SMA-Slim

Radiation Pattern:5.8GHz band

