

SPECIFICATIONS

ELECTRICAL

FREQUENCY RANGE \_\_\_\_\_ 10MHz - 50GHz

VSWR  
10MHz - 50 GHz \_\_\_\_\_ <1.65:1

INSERTION LOSS  
10MHz - 40GHz \_\_\_\_\_ 1 dB MAX  
40GHz - 50GHz \_\_\_\_\_ 1.25 dB MAX

VOLTAGE \_\_\_\_\_ 100 VOLTS MAX (INNER ONLY)

IMPEDANCE \_\_\_\_\_ 50 OHMS

OPERATING TEMP RANGE \_\_\_\_\_ -35°C TO +85°C

MECHANICAL

CENTER CONDUCTOR \_\_\_\_\_ BERYLLIUM COPPER  
GOLD PLATE IAW MIL-PRF-39012

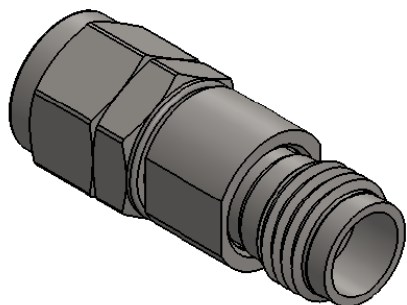
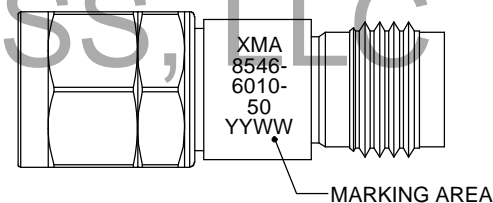
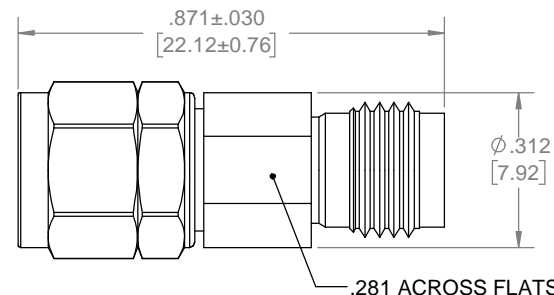
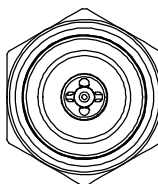
HOUSING \_\_\_\_\_ STAINLESS STEEL PER  
ASTM A484 & A582, CLASS 303, COND. A.  
PASSIVATED PER ASTM A380

DIELECTRIC \_\_\_\_\_ TEFLON  
MARKING \_\_\_\_\_

PART LOOKS LIKE PRODUCT IMAGE ABOVE.  
PART MARKING ORIENTATION AND FORMAT AS SHOWN.  
MARKING TO BE AS LARGE AS POSSIBLE, CLEAR, READABLE.  
YYWW EQUALS DATE CODE.



REVISIONS				
REV	DESCRIPTION	ECO #	DATE	APPROVED
A	INITIAL RELEASE	15-017	1/20/15	T.KUHN
B	ADDED "XMA" TO MARKING	17-077	5/30/17	T.KUHN



QTY.	PART NUMBER	DESCRIPTION	ITEM NO.
X	8546-6010-50	DC BLOCK, 2.4mm-m/f, 10MHz-50GHz, 100V	
1	TA-8546-6010-50U	ASSEMBLY, DC BLOCK, 2.4mm-m/f, 10MHz-50GHz, 100V, UNMARKED	1

DRAWING PRACTICES PER ANSI-Y-14.5 MIL-STD-100 & 1000  
DIMENSIONS ARE IN INCHES AND APPLY BEFORE / AFTER PROCESSING  
SURFACE ROUGHNESS  $\mu$ INCHES **63**  
FINISH:  
SEE NOTES  
MATERIAL:  
SEE NOTES  
NOTE:  
THIS DRAWING INCORPORATES THIRD ANGLE PROJECTION.  
INTERPRET IAW ANSI Y14.5-1982

UNLESS OTHERWISE SPECIFIED TOLERANCES IN:  
DECIMALS INCH [MM]  
.X" .05" [1.27]  
.XX" .03" [.76]  
.XXX" .010" [.25]  
ANGLES  $\pm 0^{\circ}30'$   
REMOVE ALL BURRS/SHARP W/  
BREAK / R OF .003" TO .0005"  
UNLESS OTHERWISE NOTED  
DIAS CONCENTRIC <.003 T.I.R.  
DO NOT SCALE PRINT

DRAWN DATE  
**MCCORMICK** 1/20/15  
CHECKED DATE  
**MCCORMICK** 1/20/15  
ENG. APPR. DATE  
**T.KUHN** 1/20/15

THESE DRAWINGS AND SPECIFICATIONS ARE THE PROPERTY OF XMA CORP. OR OMNI SPECTRA AND SHALL NOT BE REPRODUCED, COPIED NOR USED - IN WHOLE OR IN PART - AS A BASIS FOR THE MANUFACTURE OR SALE OF OTHER ITEMS WITHOUT THE EXPRESS WRITTEN PERMISSION OF XMA CORP.

Phone: 603-222-2256 Fax: 603-222-2259  
150 Dow Street, Manchester, NH 03101

TITLE  
**DC BLOCK, 2.4mm-m/f, 10MHz-50GHz, 100V**

SIZE <b>B</b>	CAGE CODE <b>3HT76</b>	DRAWING NUMBER <b>8546-6010-50</b>	REV <b>B</b>
SCALE	PLATED AREA SQ. IN	SHEET <b>1</b> OF <b>1</b>	