

5

4

3

2

1

SPECIFICATIONS

ELECTRICAL

FREQUENCY _____ DC - 6 GHz

ATTENUATION _____ SEE TABLE

ATTENUATION DEVIATION TOLERANCE _____ SEE TABLE

VSWR: (MAX.): (1-40 DB)

DC - 4 GHz _____ 1.15:1

4 - 6 GHz _____ 1.25:1

IMPEDANCE _____ 50 OHMS

TEMPERATURE RANGE (°C) _____ -65 TO +125 OPERATING
+150 STORAGE

POWER (AVG) _____ 5 WATTS**

POWER (PEAK) (<5 μSEC PW, <0.15% DUTY CYCLE) _____ 500 WATTS

**POWER DERATES LINEARLY FROM +25°C TO 10% @ +125°C

MECHANICAL

MATERIALS (CONNECTORS PER MIL-PRF-39012 & MIL-DTL-3933)

CENTER CONDUCTOR _____ BeCu PER QQ-C-530,
ASTM B196,ASTM-B197
ALLOYS C17200 OR C17300
PER MIL-PRF-39012.GOLD
PLATED PER MIL-PRF-39012

OUTER CONDUCTOR _____ STAINLESS STEEL, CORROSION RESISTANT
PER ASTM A484 & A582, CLASS 303, COND. A.
PASSIVATED PER ASTM A380

DIELECTRIC _____ TEFLON PER ASTM D1710.

HOUSING _____ ALUMINUM (May be one of several QQ-A-XXX or
ASTM standards)

RESISTOR SUBSTRATE AIN OR ALUMINUM OXIDE.RESISTOR: PROPRIETARY THIN FILM HYBRID WITH PROTECTIVE SIO COATING.

RoHS DEVICE

MARKING INSTRUCTIONS

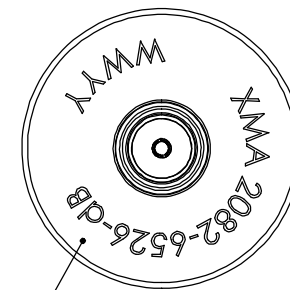
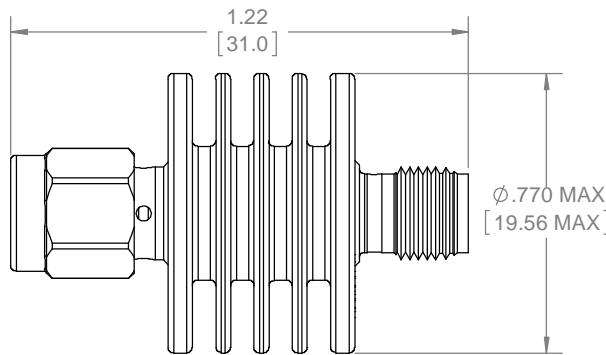
PART MARKING ORIENTATION AND FORMAT AS SHOWN.
WHITE/SILVER CHARACTERS ON BLACK ANODIZE ALUMINUM.
MARKING TO BE AS LARGE AS POSSIBLE BE, CLEAR, READABLE, AND
A WHITE COLOR.

REPLACE -dB VALUE TO BE TWO DIGIT NUMBER AS SPECIFIED ON PRUCHASE ORDER .
YYWW EQUALS DATE CODE.

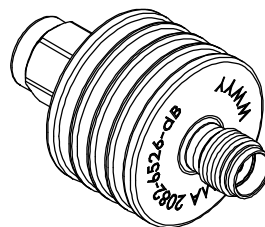
DASH NO.	NOM dB	MAX DEV.
-01	1	±0.3
-02	2	±0.3
-03	3	±0.3
-04	4	±0.3
-05	5	±0.3
-06	6	±0.3
-07	7	±0.5
-08	8	±0.5
-09	9	±0.5
-10	10	±0.5
-11	11	±0.5
-12	12	±0.5
-15	15	±0.5
-20	20	±0.5
-30	30	±0.75

REVISIONS

REV	DESCRIPTION	ECO #	DATE	APPROVED
-	INITIAL RELEASE	14-234	6/17/14	T.KUHN
A	ADDED MARKING	15-214	7/9/15	T.KUHN
B	CORRECTED MARKING	15-358	12/29/15	T.KUHN



MARKING
SEE NOTES



QTY.	PART NUMBER	DESCRIPTION	ITEM NO.
	2082-6526-dB	ATTENUATOR, SMA-m/f, DC-6GHz, 5W	
1	TA-2082-6526-dBU	ASSY, ATTENUATOR, SMA-m/f, DC-6GHz, 5W, UNMARKED	1

DRAWING PRACTICES PER ANSI-Y-14.5
MIL-STD-100 & 1000

DIMENSIONS ARE IN INCHES AND
APPLY BEFORE / AFTER PROCESSING

SURFACE
ROUGHNESS
μINCHES **63**

FINISH:
SEE NOTES

MATERIAL:
SEE NOTES

NOTE:
THIS DRAWING INCORPORATES
THIRD ANGLE PROJECTION.

INTERPRET IAW ANSI Y14.5-1982

UNLESS OTHERWISE SPECIFIED
TOLERANCES IN:
DECIMALS INCH [MM]

.X* .05" [1.27]

.XX* .03" [.76]

.XXX* .010" [.25]

ANGLES ±0°30'

REMOVE ALL BURRS/SHARP W/
BREAK / R OF .003" TO .0005"
UNLESS OTHERWISE NOTED
DIAS CONCENTRIC <.003 T.I.R.

DO NOT SCALE PRINT

DRAWN DATE
T.MAIN 5/19/11

CHECKED DATE
McCORMICK 5/19/11

ENG. APPR. DATE
SAUNDERS 5/19/11



Phone: 603-222-2256 Fax: 603-222-2259
150 Dow Street, Manchester, NH 03101

ATTENUATOR, SMA-m/f, DC-6GHz, 5W

SIZE	CAGE CODE	DRAWING NUMBER	REV
B	3HT76	2082-6526-dB	B

SCALE PLATED AREA SQ. IN SHEET 1 OF 1

5

4

3

2

1