

5

4

3

2

1

REVISIONS				
REV	DESCRIPTION	ECO #	DATE	APPROVED
-	ADDED MARKING/TOLERANCE CHANGE	14-326	9/18/14	T.KUHN

ELECTRICAL

SPECIFICATIONS

FREQUENCY RANGE \_\_\_\_\_ DC TO 12.4 GHz

ATTENUATION \_\_\_\_\_ 0.5-6.5 ±0.30  
6.5-12.5 ±0.50

VSWR(MAX) \_\_\_\_\_ DC - 4 GHz \_\_\_\_\_ 1.15:1  
4 - 12.4 GHz \_\_\_\_\_ 1.25:1

POWER \_\_\_\_\_ 2 WATTS (AVG)  
Derates Linearly from +25°C to 10% at +125°C

POWER, PEAK \_\_\_\_\_ 500 WATTS  
5 μ SEC PULSE WIDTH, 0.1% DUTY CYCLE

IMPEDANCE: \_\_\_\_\_ 50 OHMS

OPERATING TEMP RANGE \_\_\_\_\_ -65 TO +125°

PART NUMBERS	dB VALUES
2082-6030-00/-03	0.5 dB/3.5 dB
2082-6031-04/-06	4.5 dB/6.5 dB
2082-6032-07/-10	7.5 dB/10.5 dB
2082-6033-11 & -12	11.5 dB & 12.5 dB

MATERIALS

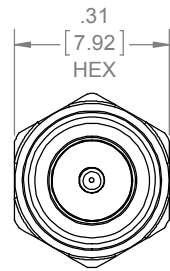
OUTER CONDUCTOR \_\_\_\_\_ PASSIVATED STAINLESS  
STEEL IAW ASTM A484 & A582, CLASS 303

CENTER CONDUCTOR \_\_\_\_\_ GOLD PLATED (ASTM-B488/MIL-PRF-39012)  
BERYLLIUM COPPER PER ASTM B196 & B197

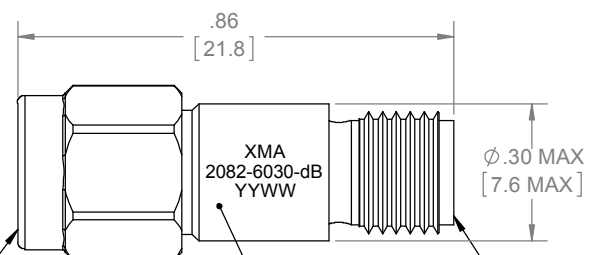
RESISTIVE ELEMENT \_\_\_\_\_ THIN FILM HYBRID ON 99.6% ALUMINA  
SUBSTRATE

MARKING

PART LOOKS LIKE PRODUCT IMAGE ABOVE.  
PART MARKING ORIENTATION AND FORMAT AS SHOWN.  
dB TO BE REPLACED WITH THE TWO DIGIT dB VALUE ON THE  
WORK ORDER. EX: 2 dB = 02dB, 10dB = 10dB, 20dB = 20dB  
LASER MARKING TO BE AS LARGE AS POSSIBLE, CLEAR, AND READABLE.  
YYWW EQUALS DATE CODE.

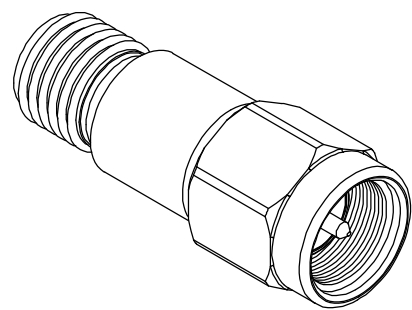


SMA PLUG PER MIL-STD-348



MARKING AREA SEE NOTES

SMA JACK PER MIL-STD-348




QTY.	PART NUMBER	DESCRIPTION	ITEM NO.
X	2082-603X-dB	ATTENUATOR, SMA-m/f, DC-12.4GHz, 2W	
1	TA-2082-6X3X-dBU	ASSEMBLY, ATTENUATOR, SMA-m/f, DC-12.4GHz, 2W, UNMARKED	1

DRAWING PRACTICES PER ANSI-Y-14.5 MIL-STD-100 & 1000	
DIMENSIONS ARE IN INCHES AND APPLY BEFORE / AFTER PROCESSING	
SURFACE ROUGHNESS μINCHES	63
FINISH:	
SEE NOTES	
MATERIAL:	
SEE NOTES	
NOTE: THIS DRAWING INCORPORATES THIRD ANGLE PROJECTION.	
INTERPRET IAW ANSI Y14.5-1982	

UNLESS OTHERWISE SPECIFIED TOLERANCES IN:	
DECIMALS	INCH (MM)
.X"	.05" [1.27]
.XX"	.03" [.76]
.XXX"	.010" [.25]
ANGLES ±0°30'	
REMOVE ALL BURRS/SHARP W/ BREAK / R OF .003" TO .0005" UNLESS OTHERWISE NOTED DIAS CONCENTRIC <.003 T.I.R.	
DO NOT SCALE PRINT	

DRAWN	DATE
MCCORMICK	9/18/14
CHECKED	DATE
MCCORMICK	9/18/14
ENG. APPR.	DATE
T.KUHN	9/18/14



Phone: 603-222-2256 Fax: 603-222-2259  
150 Dow Street, Manchester, NH 03101

THESE DRAWINGS AND SPECIFICATIONS ARE THE PROPERTY OF XMA CORP. OR OMNI SPECTRA AND SHALL NOT BE REPRODUCED, COPIED NOR USED - IN WHOLE OR IN PART - AS A BASIS FOR THE MANUFACTURE OR SALE OF OTHER ITEMS WITHOUT THE EXPRESS WRITTEN PERMISSION OF XMA CORP.			
SIZE	CAGE CODE	DRAWING NUMBER	REV
B	3HT76	2082-603X-dB	-
SCALE	PLATED AREA SQ. IN	SHEET 1 OF 1	

ATTENUATOR, SMA-m/f, DC-12.4GHz, 2W

5

4

3

2

1