


CONFIGURATION CONTROL	
LEVEL	EFFECTIVE DATE
0 <input checked="" type="checkbox"/>	_____
1 <input type="checkbox"/>	_____
2 <input type="checkbox"/>	_____
3 <input type="checkbox"/>	_____

REVISIONS			
REV.	DESCRIPTION	DATE	APPROVED
A	INITIAL RELEASE	980309	J.A.
B	REVISED PER ECO #5374	981104	J.A.
C	REVISED PER ECO #5887	991006	J.A.
D	REVISED PER ECO #6003	991213	J.A.

Nominal Coil Voltage	Part Number			
	SP3T	SP4T	SP5T	SP6T
12 Vdc	535-520802A	545-520802A	555-520802A	565-520802A
15 Vdc	535-590802A	545-590802A	555-590802A	565-590802A
24 Vdc	535-580802A	545-580802A	555-580802A	565-580802A
28 Vdc	535-530802A	545-530802A	555-530802A	565-530802A

REVISIONS	D	D	C			
SHEET NO.	1	2	3			
APPROVALS			DATE			
DRAWN	R. CANNY		980202			
ENG	D. FAIRBANKS		980227			
ENG. MGR.	J. WENGER		980303			
SALES MGR.						
Q.A. MGR.						
MFG. MGR.						



**DowKey[®]
Microwave
CORPORATION**

An Affiliate of K&L Microwave Incorporated

A DOWKEY TECHNOLOGIES COMPANY

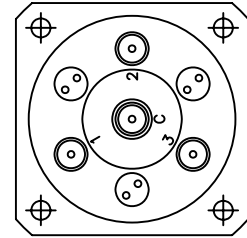
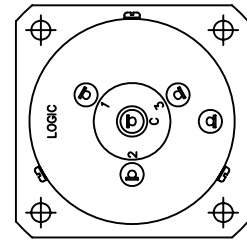
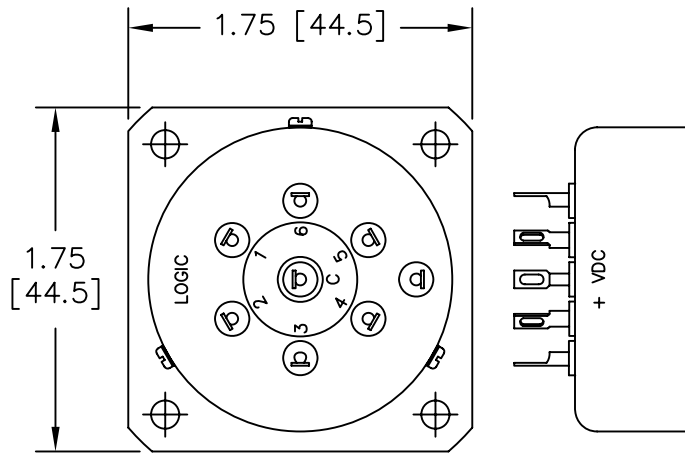
4822 McGrath Street
Ventura, CA. 93003-5641
PH: (805) 650-0260
FAX: (805) 650-1734

**SWITCH, 3-6 POSITION, NORMALLY OPEN,
SMA-FEMALE CONNECTORS, TTL-HI**

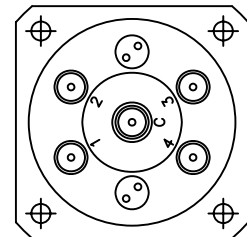
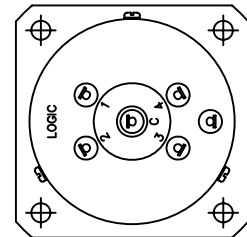
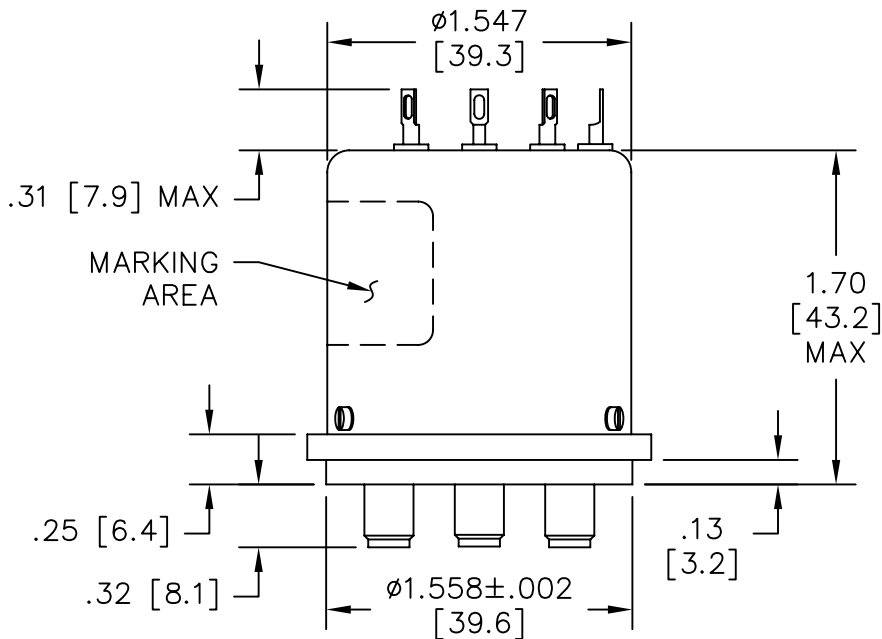
CODE IDENT. NO. 00471	DWG. NO. 5X5-5X0802A
SCALE NONE	FINAL ASSY:

SHEET 1 OF 3

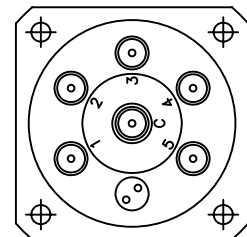
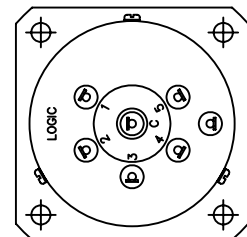
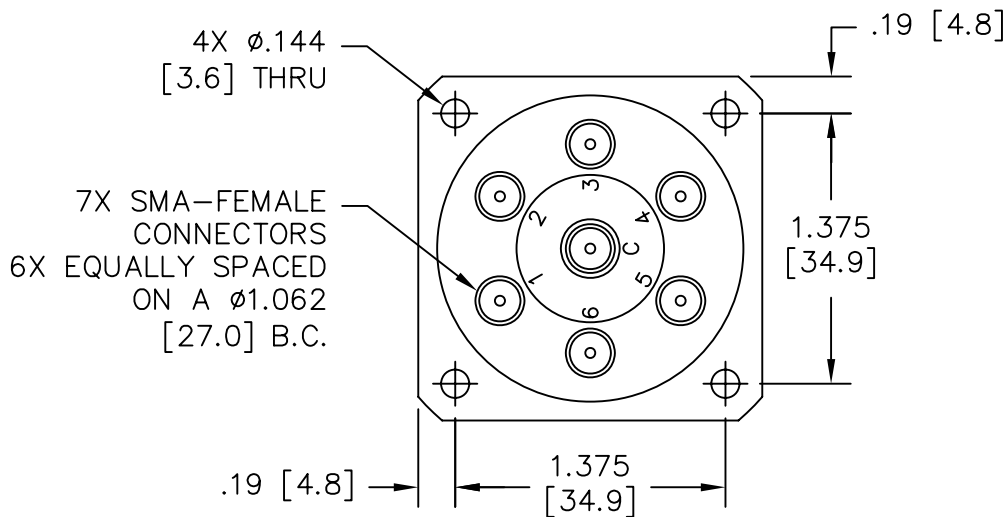
OUTLINE DRAWING:



3 POSITION



4 POSITION



5 POSITION

[] MILLIMETERS

UNLESS OTHERWISE SPECIFIED TOLERANCES ARE:
 .XXX ±.010 ANGLES: ±3°
 .XX ±.030

CODE IDENT. NO.
 00471

DWG. NO.

5X5-5X0802A

REV.
 D

SCALE NONE

SHEET 2 OF 3

SPECIFICATIONS:

1. RF CHARACTERISTICS:

1.1 FREQUENCY (GHz):	DC-4	4-8	8-12	12-18
1.2 VSWR (MAX.):	1.25:1	1.35:1	1.40:1	1.50:1
1.3 INSERTION LOSS (MAX.):	.20dB	.30dB	.40dB	.50dB
1.4 ISOLATION (MIN.):	70dB	65dB	60dB	60dB
1.5 RF POWER, WATTS (CW):	100	70	60	45

2. ACTUATION DATA:

2.1	NOMINAL VOLTAGE	OPERATING VOLTAGE	CURRENT (TYP) @ NOMINAL VOLTAGE & 25°C
	12Vdc	11-14	333mA
	15Vdc	13-17	278mA
	24Vdc	20-28	190mA
	28Vdc	24-32	161mA

- 2.2 SWITCHING TIME: 20mS MAX.
 2.3 OPERATING MODE: NORMALLY OPEN, TTL-HI

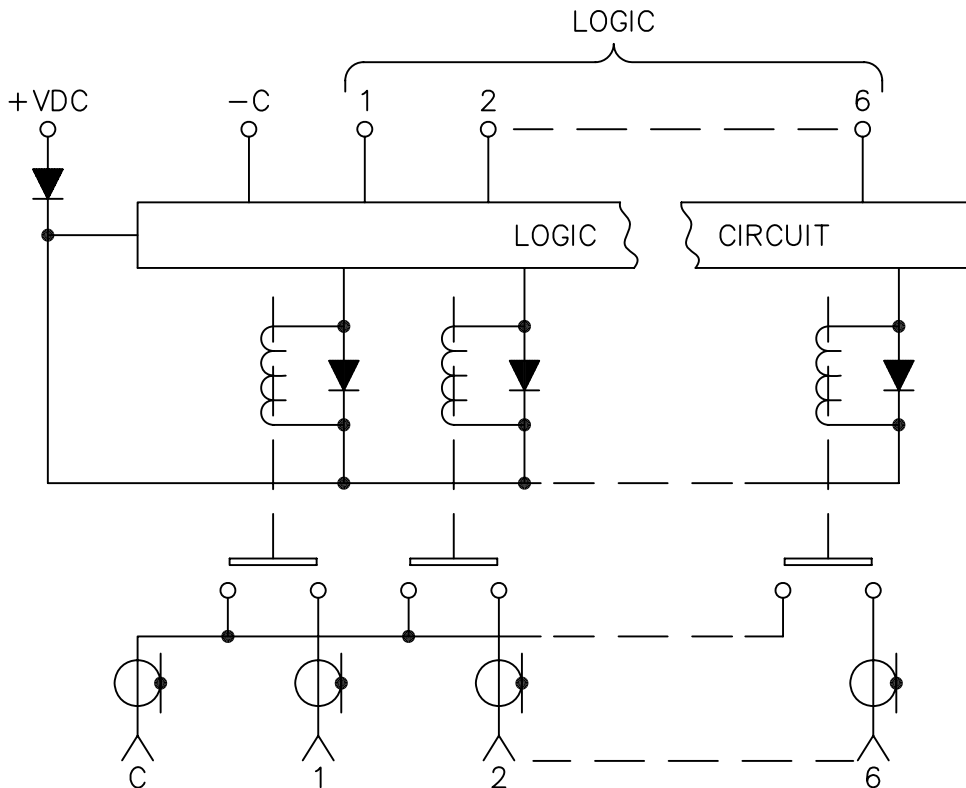
3. MECHANICAL:

- 3.1 RF CONTACTS: BREAK BEFORE MAKE
 3.2 WEIGHT, NOMINAL: 4.0oz. (115g.)
 3.3 DESIGN LIFE (MIN.): 1,000,000 CYCLES

4. ENVIRONMENTAL:

- 4.1 OPERATING TEMPERATURE: -25°C TO +65°C
 4.2 STORAGE TEMPERATURE: -55°C TO +85°C

SCHEMATIC:



LOGIC LOW (OFF) = 0-0.8Vdc
 LOGIC HIGH (ON) = 2.4-5.5Vdc

CODE IDENT. NO. 00471	DWG. NO. 5X5-5X0802A	REV. C
SCALE NONE	SHEET 3 OF 3	