
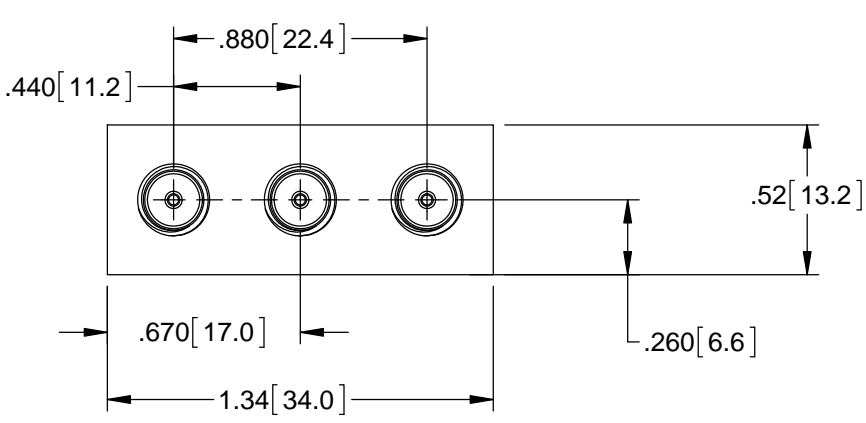
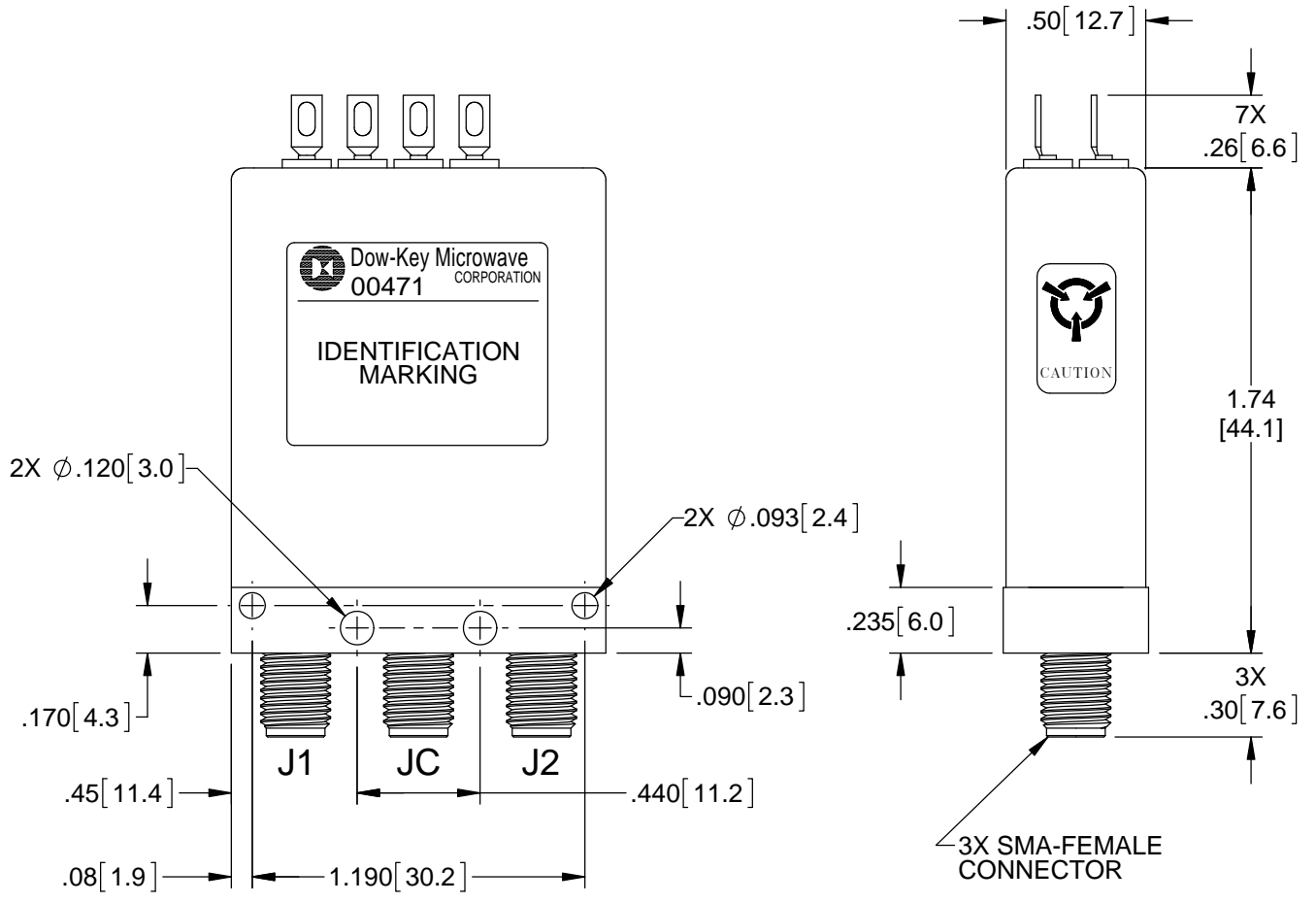
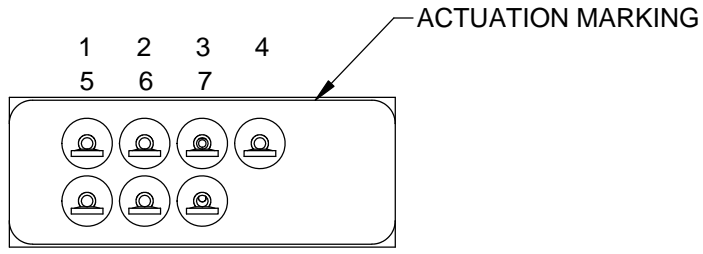


REVISIONS			
REV.	DESCRIPTION	DATE	APPROVED
B	REVISED PER ECO 6976	7/12/99	M.R.
C	REVISED AND REDRAWN PER ECO 11350	11/23/15	K.R.

Nominal Coil Voltage	Part Number
12 Vdc	401T-420832A
15 Vdc	401T-490832A
24 Vdc	401T-480832A
28 Vdc	401T-430832A

REVISIONS	C	C	C				 <b>DowKey<sup>®</sup> Microwave</b> CORPORATION <small>A DOVER TECHNOLOGIES COMPANY</small>	4822 McGrath Street Ventura, CA. 93003-5641 PH: (805) 650-0260 FAX: (805) 650-1734
SHEET NO.	1	2	3					
APPROVALS		DATE					<b>SWITCH, SPDT LATCHING SELF CUT-OFF SMA-FEMALE CONNECTORS, INDICATORS TTL CONTROL, EXTENDED TEMP</b>	
DRAWN SARA LEE		11/18/2015						
ENGINEERING G. WITTS		11/23/2015						
QUALITY G. WAKEFIELD		11/23/2015						
MANUFACTURING R. GARCIA		11/23/2015						
CODE IDENT. NO.				DWG. NO.				
00471				401T-4X0832A				
SCALE	NONE		FINAL ASSY: 401T-430832A			SHEET 1 OF 3		

# OUTLINE DRAWING:



[ ] MILLIMETERS

UNLESS OTHERWISE SPECIFIED TOLERANCES ARE: .XXX ±.010 ANGLES: ±3° .XX ±.030	CODE IDENT. NO. <b>00471</b>	DWG. NO. <b>401T-4X0832A</b>	REV. <b>C</b>
	SCALE NONE	FINAL ASSY: 401T-430832A	SHEET 2 OF 3

# SPECIFICATION:

## 1.0 RF CHARACTERISTICS:

1.1 FREQUENCY (GHz)	DC - 1	1 - 4	4 - 8	8 - 12	12 - 18
1.2 VSWR (RATIO MAX)	1.10:1	1.15:1	1.20:1	1.30:1	1.35:1
1.3 INSERTION LOSS (dB MAX)	0.10	0.15	0.20	0.30	0.35
1.4 ISOLATION (dB MIN)	85	80	70	65	60
1.5 RF POWER (WATTS CW MAX) AT SEA LEVEL, +25°C, LOAD VSWR 1:1	225	125	90	75	60
1.6 IMPEDANCE (NOMINAL)	50 OHMS				

## 2.0 ACTUATION DATA:

2.1	NOMINAL VOLTAGE	OPERATING VOLTAGE	CURRENT (NOMINAL) @ NOMINAL VOLTAGE & 25°C
	12	11-14	220mA
	15	13-17	110mA
	24	20-28	125mA
	28	24-32	110mA

2.2 SWITCHING TIME 15mS MAX  
 2.3 OPERATING MODE LATCHING, SELF CUT-OFF

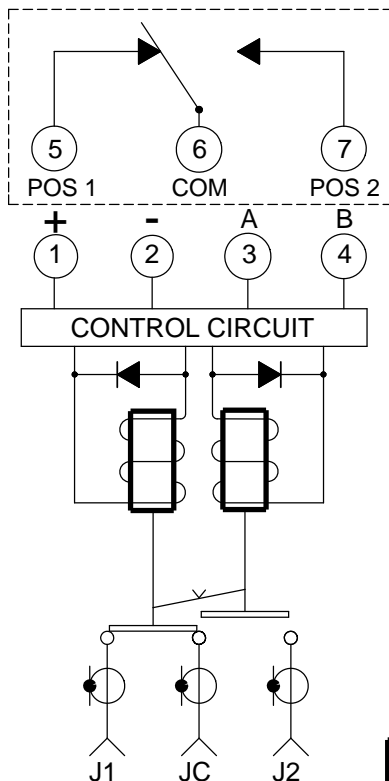
## 3.0 MECHANICAL:

3.1 CONTACT ARRANGEMENT SPDT  
 3.2 RF CONTACTS BREAK BEFORE MAKE  
 3.3 WEIGHT 1.4oz (40g) NOMINAL  
 3.4 DESIGN LIFE 1,000,000 CYCLES MINIMUM

## 4.0 ENVIRONMENTAL:

4.1 OPERATING TEMPERATURE -55°C TO +85°C  
 4.2 STORAGE TEMPERATURE -55°C TO +85°C  
 4.3 SEAL: EPOXY SEAL

# SCHEMATIC:



RF PATH	INDICATOR PATH	LOGIC INPUT 'A'	LOGIC INPUT 'B'
JC - J1	COM - 1	1	0
JC - J2	COM - 2	0	1

LOGIC LO "0" = 0.0V - 0.8V  
 LOGIC HI "1" = 2.4V - 5.5V

SWITCH SHOWN IN POSITION 1

CODE IDENT. NO. <b>00471</b>	DWG. NO. <b>401T-4X0832A</b>	REV. <b>C</b>
SCALE NONE	FINAL ASSY: 401T-430832A	SHEET 3 OF 3