

TERMINATIONS

SMA, up to 18 GHz, 25 Watts

SPECIFICATIONS:

Models: TSXXXM-25W, TSXXXF-25W

RoHS
Compliant

AEROFLEX
A passion for performance.

Electrical:

Frequency Range _____ DC - 18 GHz
Standard Freq. Values _____ 6, 12.4 & 18 GHz
VSWR _____

DC - 6 GHz _____ 1.20:1 Max.
6 - 12.4 GHz _____ 1.30:1 Max.
12.4 - 18 GHz _____ 1.40:1 Max.

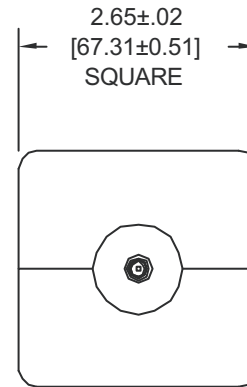
Impedance _____ 50 Ohms
Input Power _____ 25 Watts Avg. @ +25°C
Derated Linearly to 0.5 Watts @ +125°C

Peak Power _____ 500 Watts Max.
(5uSec Pulse, .05% Duty Cycle)

Operating Temp Range _____ -65°C to +125°C

Mechanical:

SMA Connectors _____ Passivated Stainless Steel
Mates with MIL-STD-348
Housing _____ Anodized Aluminum
Conductors _____ Gold Plated Beryllium Copper



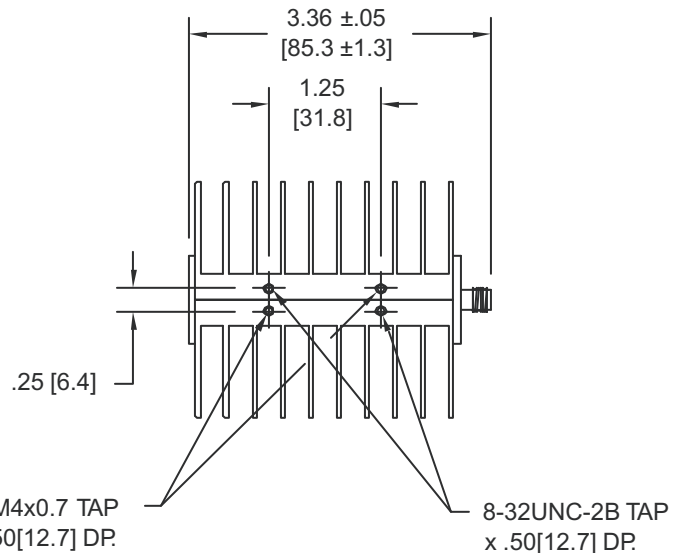
END VIEW
TYPICAL

Model Number: **TSXXXF-25W**

SMA Female Connector
Length: 3.36 ± 0.05 [85.3 ± 1.3]
As Pictured

Model Number: **TSXXXM-25W**

SMA Male Connector
Length: 3.49 ± 0.05 [88.6 ± 1.3]



Units must be Mounted in such a way as to
Allow for Free Air Flow Around fins to Insure
Performance

HOW TO ORDER:

Model Number: **TSXXXy-25W**

Frequency Range Connector Configuration
060 = DC - 6 GHz M = Male
120 = DC - 12.4 GHz F = Female
180 = DC - 18 GHz

Ordering Examples:

Model Number: **TS120M-25W**
DC - 12.4 GHz; SMA Male

Model Number: **TS060F-25W**
DC - 6 GHz; SMA Female

Model Number: **TS180M-25W**
DC - 18 GHz; SMA Male

Note: Dimensions in Brackets are Expressed in Millimeters and are for Reference Only.

TS180-25W: REV G

AEROFLEX
INMET

Aeroflex / Inmet, Inc. • 300 Dino Drive, Ann Arbor, MI 48103 • U.S.A.
888-244-6638 or 734-426-5553 • FAX: 734-426-5557
www.aeroflex-inmet.com • inmet-sales@eroflex.com