

# ADAPTERS, BETWEEN SERIES

2.9mm / 1.85mm, DC - 40 GHz

## SPECIFICATIONS:

Models: 5258, 5259, 5260, 5261

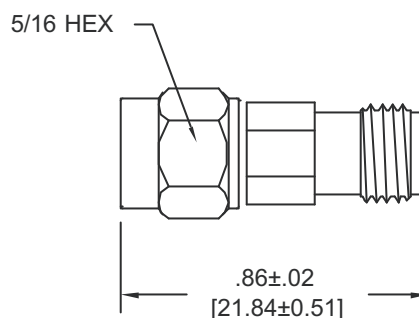
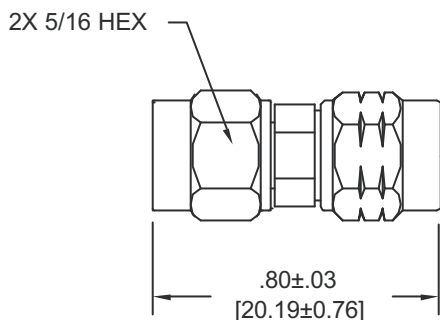
**RoHS**  
Compliant

<b>Electrical:</b>	
Frequency Range _____	DC - 40 GHz
VSWR	
DC - 18 GHz _____	1.20:1 Max.
18 - 40 GHz _____	1.30:1 Max.
Impedance _____	50 Ohms
Operating Temp. Range _____	-65°C to +85°C
<b>Mechanical:</b>	
1.85mm Connectors _____	Passivated Stainless Steel
<small>Mates with 2.4mm &amp; V* Connectors</small>	
2.9mm Connectors _____	Passivated Stainless Steel
<small>Mates both Mechanically and Electrically with SMA, 3.5mm and K* Series Connectors</small>	
Conductors _____	Gold Plated Beryllium Copper

\*K and V are trademarks of Anritsu Corp.

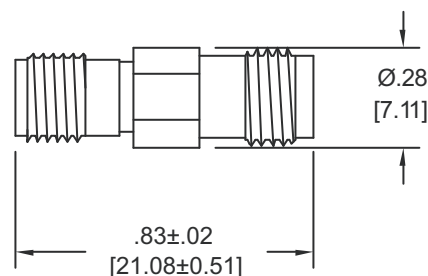
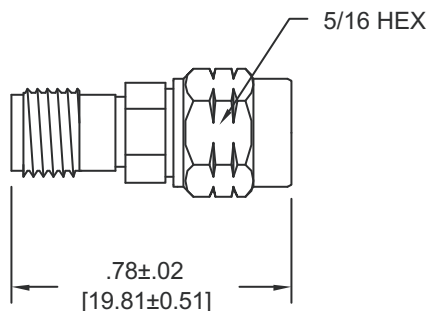
Model Number: **5258**  
2.9mm MALE / 1.85mm MALE

Model Number: **5259**  
2.9mm MALE / 1.85mm FEMALE



Model Number: **5260**  
2.9mm FEMALE / 1.85mm MALE

Model Number: **5261**  
2.9mm FEMALE / 1.85mm FEMALE



Note: Dimensions in Brackets are Expressed in Millimeters and are for Reference Only.  
Units that offer very low return loss (VSWR) are also available

5258: REVA



Aeroflex / Inmet, Inc. • 300 Dino Drive, Ann Arbor, MI 48103 • U.S.A.  
888-244-6638 or 734-426-5553 • FAX: 734-426-5557  
www.aeroflex-inmet.com • inmet-sales@aeroflex.com

