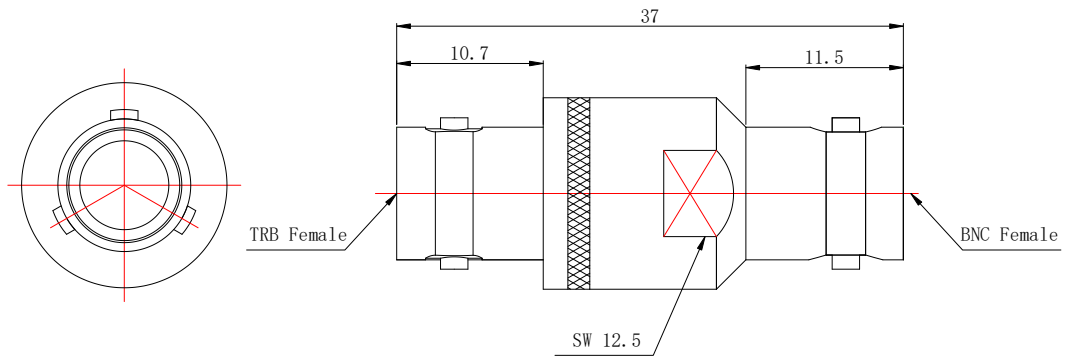


TRB(FEMALE)-BNC(FEMALE)

**TRB/BNC-KK**

\*Dimensions are in mm

## Configuration

Connector 1 Type	TRB Female
Connector 1 Impedance	50 Ohms
Connector 1 Polarity	Standard
Connector 2 Type	BNC Female
Connector 2 Impedance	50 Ohms
Connector 2 Polarity	Standard
Connector Mount Method	None
Adapter Body Style	Straight

## Electrical Specifications

Frequency	DC~500MHz
-----------	-----------

## Materials Information

Center Contact	Bronze Gold plated
Outer Contact	Brass Gold plated
Body	Brass Ternary alloy plated
Dielectric	PTFE

## Environmental Data

Temperature Range	-55°C to +165°C
2002/95/EC(RoHS)	Compliant

While the information has been carefully compiled to the best of our knowledge, nothing is intended as representation or warranty on our part and no statement herein shall be construed as recommendation to infringe existing patents. In the effort to improve our products, we reserve the right to make changes judged to be necessary.