

TERMINATIONS

Type N, DC - 4.0 GHz, 150 Watts

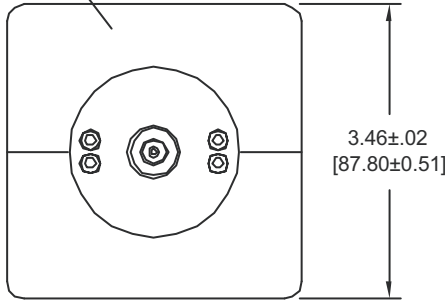
SPECIFICATIONS:

Models: TNXXXM - 150W & TNXXXF - 150W

RoHS
Compliant

Electrical:	
Frequency Range	DC - 4.0 GHz
Standard Freq. Values	2.5 & 4 GHz
VSWR	
DC - 1.5 GHz	1.15:1 Max.
1.5 - 2.5 GHz	1.25:1 Max.
2.5 - 4.0 GHz	1.35:1 Max.
Input Power	150 Watts Avg. @ +25°C Derated Linearly to 30 Watts @ +125°C
Peak Power	2 kW Max. (5uSec Pulse, .05% Duty Cycle)
Impedance	50 Ohms
Operating Temp Range	-55°C to +125°C
Mechanical:	
Type N Connectors	Passivated Stainless Steel <small>Mates with MIL-STD-348</small>
Conductors	Gold Plated Beryllium Copper
Housing	Anodized Aluminum

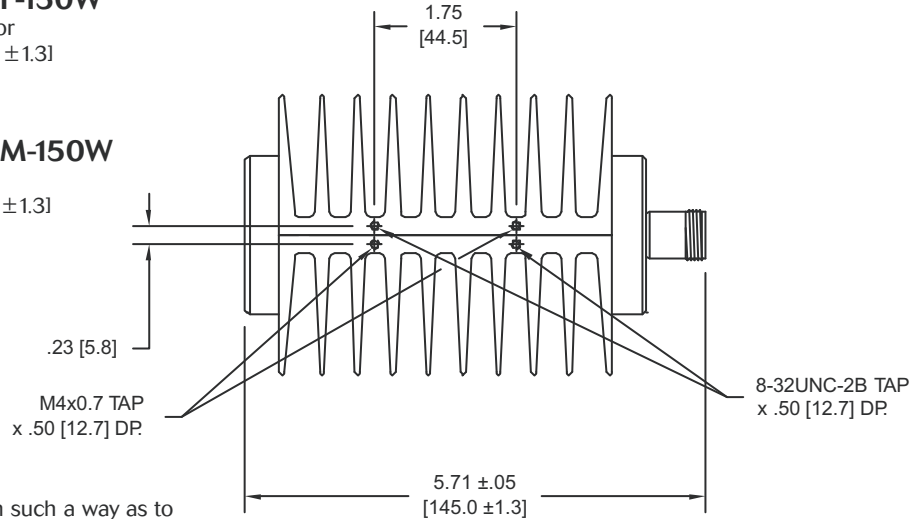
Custom Mtg. hole Config. may be Added to this Surface.



END VIEW
TYPICAL

Model Number: **TNXXXF-150W**
Type N Female Connector
Length: 5.71 ± 0.05 [145.0 ± 1.3]
Pictured

Model Number: **TNXXXM-150W**
Type N Male Connector
Length: 5.62 ± 0.05 [142.7 ± 1.3]



Units must be Mounted in such a way as to Allow for Free Air Flow Around fins to Assure Performance

HOW TO ORDER:

Model Number: **TNXXXXY-150W**

Freq. Range 020 = DC - 2.5 GHz 040 = DC - 4 GHz	Connector Configuration F = Female M = Male
---	---

Ordering Examples:

Model Number: **TN040M-150W**
DC - 4 GHz, Type N Male CONN.

Model Number: **TN020F-150W**
DC - 2.5 GHz, Type N Female CONN.

Note: Dimensions in Brackets are Expressed in Millimeters and are for Reference Only.
Design, specifications are subject to change without notice. Contact factory for technical specifications before purchasing and/or use.

TNXXX-150W: REV G



Aeroflex / Inmet, Inc. • 300 Dino Drive, Ann Arbor, MI 48103 • U.S.A.
888-244-6638 or 734-426-5553 • FAX: 734-426-5557
www.aeroflex-inmet.com • inmet-sales@eroflex.com

