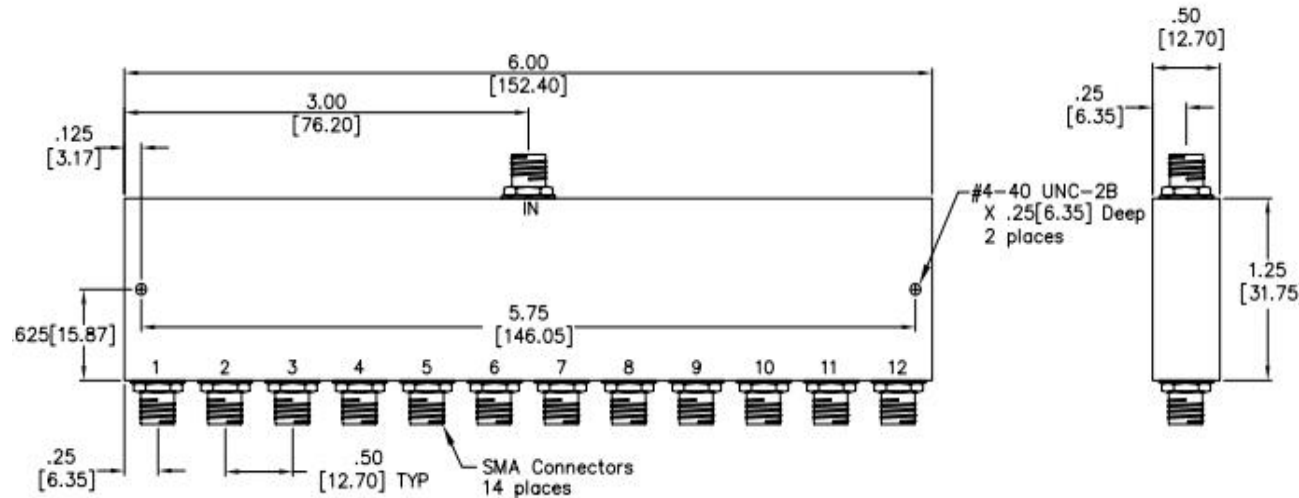


PD-5M1.5G-12-S is a 12 way power divider designed to operate over the 5M-1.5GHz frequency range, with compact size. This model is designed to handle 1W max input power, and also performs with low insertion loss of 4.5 dB max and high isolation of 17 dB min, and low VSWR of 1.8max.

Mechanical Outline(Inch/mm):




Specifications:

Dividing into:	12 ways
Frequency:	5M-1.5GHz
Insertion Loss:	4.5dB Max
Isolation:	17dB Min
Power Handling:	1W Max
VSWR:	1.8:1
Amplitude balance:	0.6dB Max
Phase balance:	10° Max
Connectors:	SMA Female(N optional)

Environmental Ratings:

Temperature:	-25°C to +71 °C Operating -65 °C to +100 °C Non-Operating
Vibration:	MIL-STD-202F, Method 204D Cond. B
Altitude:	MIL-STD-202F, Method 105C Cond. B
Temperature Cycle:	MIL-STD-202F, Method 107D Cond. A

Power Divide PD-5M1.5G-12-S			
DRAWN:	DWG NO.:	REV CODE: Rev.1.0	 www.connphy.com sales@connphy.com
CHECKRD:	DATE: 08/07/15	SHEET : 1 OF 1	
ISSUED:	SIZE: A	SCALE : N / A	
			Notes: SPEC ARE SUBJECT TO CHANGE WITHOUT NOTICE.