

# Power Divider/Combiner



50Ω 4 Way SMA Power Divider(0.3 ~ 26.5G)

**GPD-4-003265**

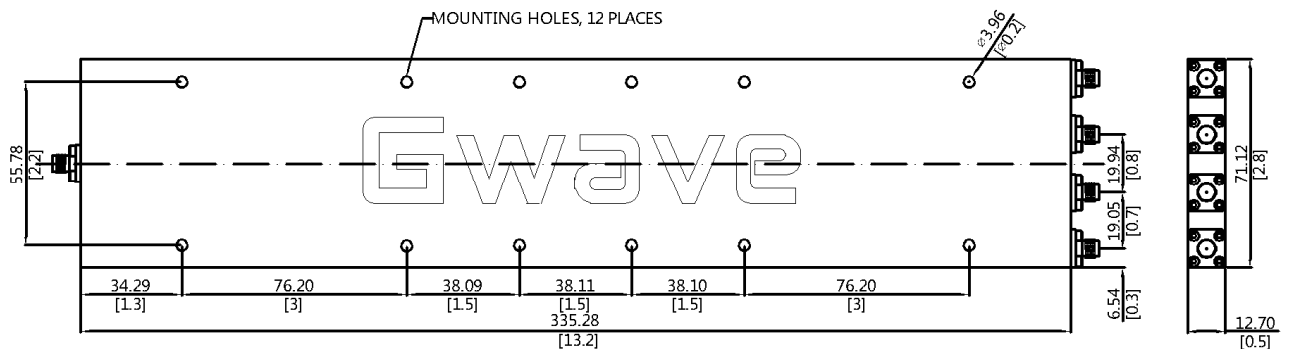
## Electrical Specifications

Frequency Range, GHz	0.3 ~ 26.5
Impedance, Ohms	50
Insertion Loss Max.[dB]	11.9
Amp.Bal. Max.[dB]	±0.5
Input VSWR Max.	1.6
Output VSWR Max.	1.6
Isolation Min.[dB]	15
Phase Bal. Max.[Deg.]	±6
CW Power Max.[W]	20
Peak Power Max.[kW]	3

## Mechanical Specifications

Conn.Type	SMA(F)
Weight Max[g]	850
Operating Range deg.[C]	-35 ~ 105
Color	Black

## Outline Drawing



## Notes

- Insert loss does not include theoretical power distribution insert loss[6dB].
- Compliant MIL-STD-810G environment test standard.