

DC-BLOCK

Gwave[®]

DC-Block 50Ω ,SMA Connector
0.01-6G

GDCB-6G-SMA

Electrical Specifications

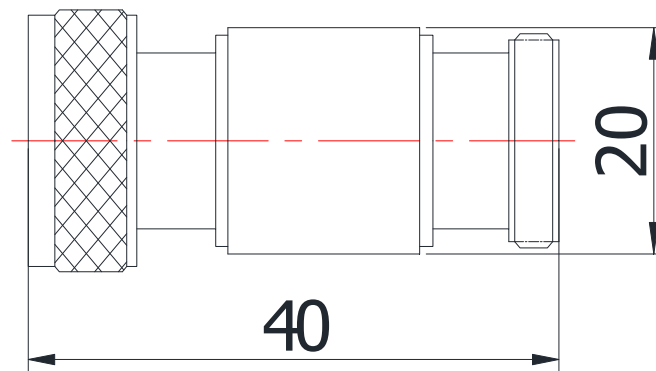
Frequently Range[GHz]:	0.01-6
Insertion Loss[dB]:	≤0.5
Maxium VSWR:	≤1.4
Impedance[Ohms]:	50
DC Maximum Voltage[V]:	72

Mechanical Specifications

Size[mm]:	40*20*18
Temperature Range[°C]:	-55~+100
Cavity:	Al
Male Inner Conductor:	Gold-plated Copper
Female Inner Conductor:	Gold-plated Beryllium Bronze
Connecter Type:	SMA
Weight[g]:	25

Outline Drawing

*Dimensions are in mm



Notes

*Dimensional Tolerance:±2%

While the information has been carefully compiled to the best of our knowledge, nothing is intended as representation or warranty on our part and no statement herein shall be construed as recommendation to infringe existing patents. In the effort to improve our products, we reserve the right to make changes judged to be necessary.