

SHORT CIRCUITS

Type N, DC-18 GHz

SPECIFICATIONS:

Models: 7001, 7001C, 7002, 7002C

RoHS
Compliant

AEROFLEX
A passion for performance.

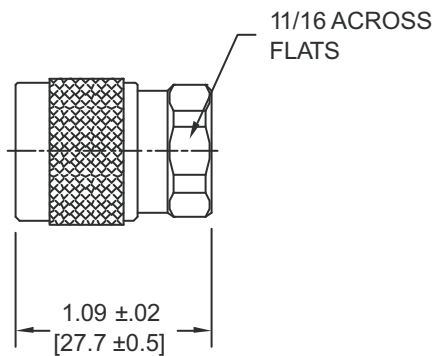
Electrical:

Frequency Range _____ DC - 18 GHz
Reflection _____ 100% Nominal

Mechanical:

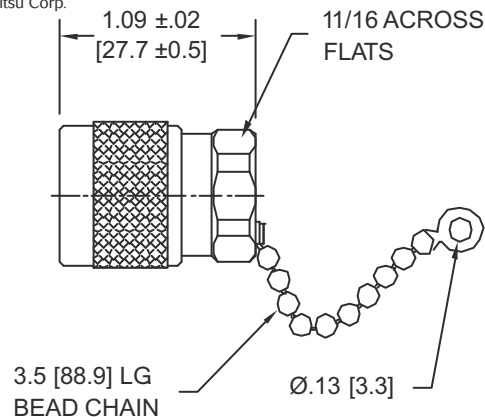
Connectors _____ Passivated Stainless Steel
Mates with MIL-STD-348
Conductors _____ Gold Plated Beryllium Copper
Bead Chain _____ Passivated Stainless Steel

Model Number: **7001**
Type N Male

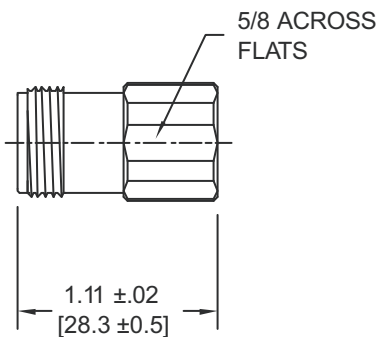


Model Number: **7001C**
Type N Male with Chain

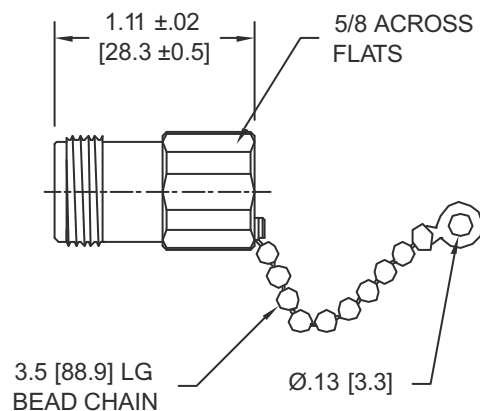
* K is a Trademark of Anritsu Corp.



Model Number: **7002**
Type N Female



Model Number: **7002C**
Type N Female with Chain



Note: Dimensions in Brackets are Expressed in Millimeters and are for Reference Only.

7001-SHT: REV H

AEROFLEX
INMET

Aeroflex / Inmet, Inc. • 300 Dino Drive, Ann Arbor, MI 48103 • U.S.A.
888-244-6638 or 734-426-5553 • FAX: 734-426-5557
www.aeroflex-inmet.com • inmet-sales@eroflex.com