

# ADAPTERS, BETWEEN SERIES DC - 12.4 GHz TYPE N / SMA BULKHEAD MOUNT



MODELS: 5351

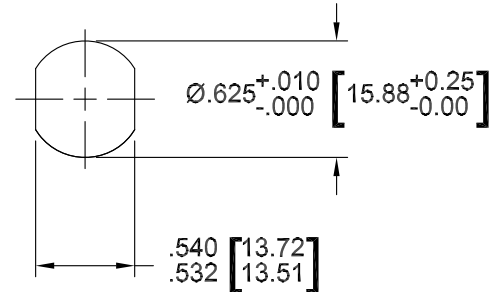
## SPECIFICATIONS:

### Electrical:

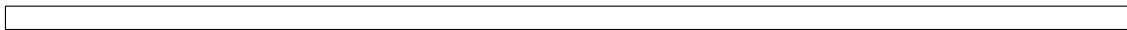
Frequency Range \_\_\_\_\_ DC - 12.4 GHz  
 VSWR: \_\_\_\_\_ 1.25:1 Max.  
 Impedance \_\_\_\_\_ 50 Ohms  
 Operating Temp. Range \_\_\_\_\_ -45°C to +155°C

### Mechanical:

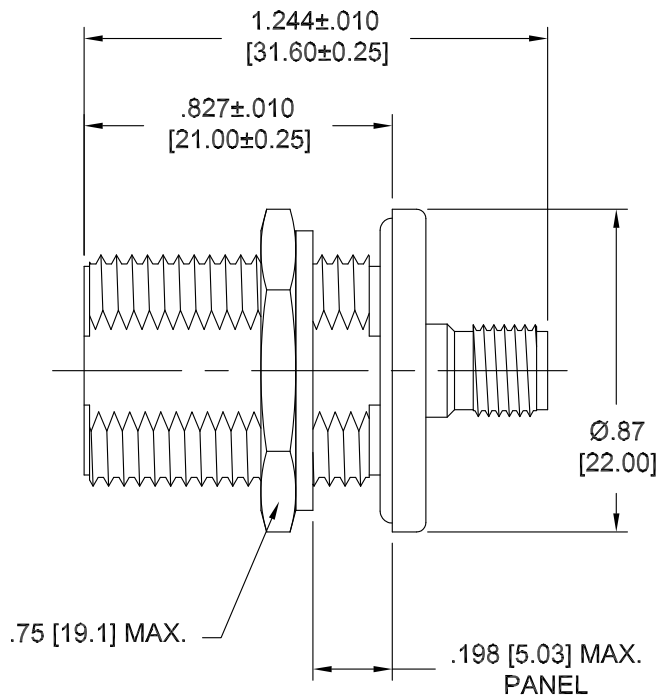
Connectors \_\_\_\_\_ Nickel Plated Brass  
 (Mates with MIL-STD-348)  
 Conductors \_\_\_\_\_ Gold Plated Beryllium Copper  
 Nut & Washer \_\_\_\_\_ Passivated Stainless Steel



Recommended Panel Configuration



Model Number: **5351**  
 Type N Female / SMA Female



Panel Nut and Lock Washer are Shipped Unassembled.

Note: Dimensions in Brackets are Expressed in Millimeters and are for Reference Only.  
 Design specifications are subject to change without notice.  
 Contact factory for technical specifications before purchasing or use.