

ADAPTERS, BETWEEN-SERIES

2.4mm / 2.9mm , DC - 40 GHz

SPECIFICATIONS:

Models: 5151, 5152, 5153, 5154

RoHS
Compliant

Electrical:

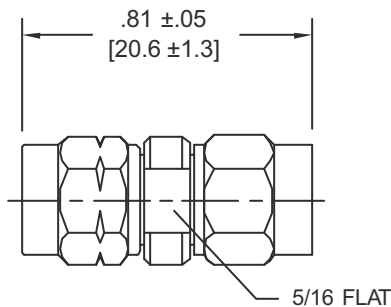
Frequency Range _____ DC - 40 GHz
 VSWR _____
 DC - 18 GHz _____ 110:1 Max.
 18 - 26.5 GHz _____ 1.20:1 Max.
 26.5 - 40 GHz _____ 1.30:1 Max.
 Impedance _____ 50 Ohms
 Operating Temp. Range _____ -65°C to +125°C

Mechanical:

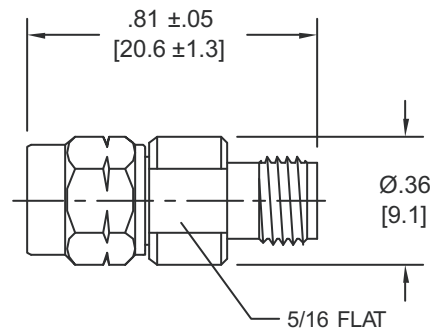
2.4mm Connectors _____ Passivated Stainless Steel
Mates with MIL-STD-348
 2.9mm Connectors _____ Passivated Stainless Steel
Mates both Mechanically and Electrically with
 SMA, 3.5mm and K* Series Connectors
 Conductors _____ Gold Plated Beryllium Copper

* K is a Trademark of Anritsu Corp.

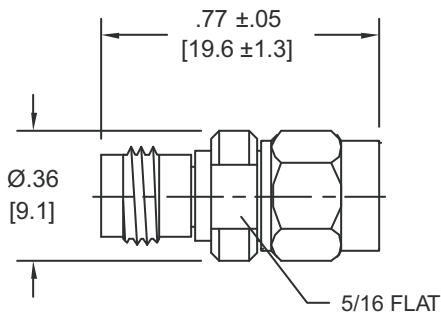
Model Number: **5154**
2.4mm Male / 2.9mm Male



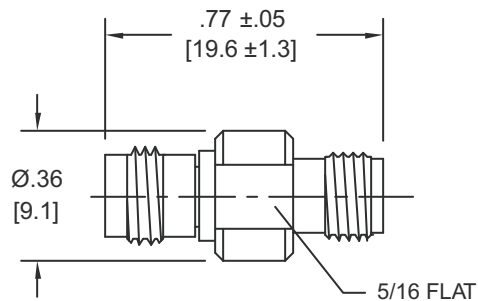
Model Number: **5153**
2.4mm Male / 2.9mm Female



Model Number: **5152**
2.4mm Female / 2.9mm Male



Model Number: **5151**
2.4mm Female / 2.9mm Female



Note: Dimensions in Brackets are Expressed in Millimeters and are for Reference Only.

5154: REV C



Aeroflex / Inmet, Inc. • 300 Dino Drive, Ann Arbor, MI 48103 • U.S.A.
 888-244-6638 or 734-426-5553 • FAX: 734-426-5557
 www.aeroflex-inmet.com • inmet-sales@aeroflex.com

