

# ADAPTERS, IN SERIES

3.5mm, DC - 34 GHz

## SPECIFICATIONS:

Models: 5084, 5085, 5086

**RoHS**  
Compliant

**AEROFLEX**  
A passion for performance.

### Electrical:

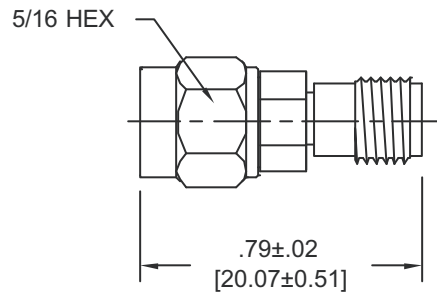
Frequency Range \_\_\_\_\_ DC - 34 GHz  
VSWR \_\_\_\_\_ 1.25:1 Max.  
Impedance \_\_\_\_\_ 50 Ohms  
Operating Temp. Range \_\_\_\_\_ -65°C to +125°C

### Mechanical:

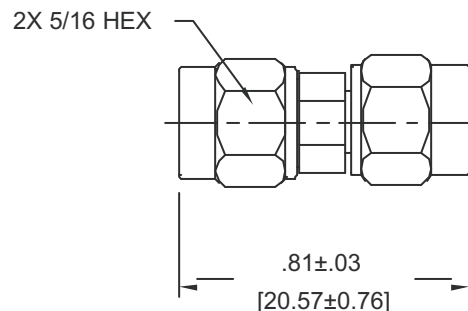
3.5mm Connectors \_\_\_\_\_ Passivated Stainless Steel  
Mates both Mechanically and Electrically with  
SMA, 2.9mm and K\* Series Connectors  
Conductors \_\_\_\_\_ Gold Plated Beryllium Copper

\* K is a Trademark of Anritsu Corp.

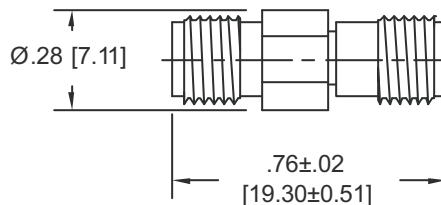
Model Number: **5084**  
Male/Female Connectors



Model Number: **5085**  
Male/Male Connectors



Model Number: **5086**  
Female/Female Connectors



Note: Dimensions in Brackets are Expressed in Millimeters and are for Reference Only.  
Units featuring very low return loss (VSWR) are also available.

5084: REV -

**AEROFLEX**  
INMET

Aeroflex / Inmet, Inc. • 300 Dino Drive, Ann Arbor, MI 48103 • U.S.A.  
888-244-6638 or 734-426-5553 • FAX: 734-426-5557  
www.aeroflex-inmet.com • inmet-sales@aeroflex.com