

# Adapters, In-Series

## Quick Connect SMA, DC - 18 GHz



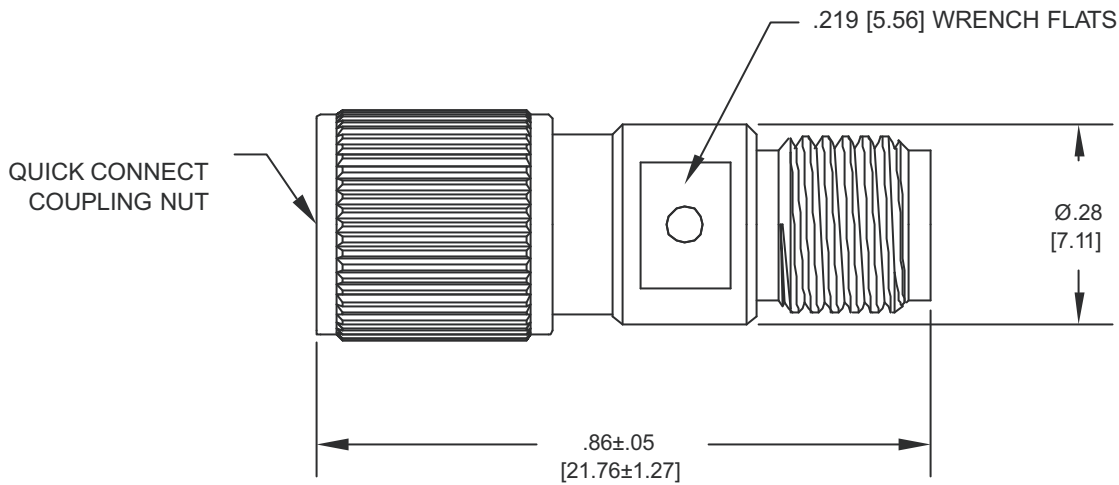
### SPECIFICATIONS:

**RoHS**  
Compliant

Model: 5030Q

<b>Electrical:</b>	
Frequency Range	DC - 18.0 GHz
VSWR:	
DC To 6GHz	1.15:1 Maximum
6 To 12.4GHz	1.20:1 Maximum
12.4 To 18GHz	1.25:1 Maximum
Impedance	50 Ohms
Operating Temp Range	-65°C to +85°C
<b>Mechanical:</b>	
Connectors	White Bronze Plated Brass
Mates with MILSTD-348	
Conductors	Gold Plated Beryllium Copper
Coupling Nuts	White Bronze Plated Brass

Model Number: 5030Q  
SMA Male to SMA Female



Note: Dimensions in Brackets are Expressed in Millimeters and are for Reference Only.

5030Q: REV -



Aeroflex / Inmet, Inc. • 300 Dino Drive, Ann Arbor, MI 48103 • U.S.A.  
888-244-6638 or 734-426-5553 • FAX: 734-426-5557  
www.aeroflex-inmet.com • inmet-sales@eroflex.com

# 5030Q Adapter

