

# TERMINATIONS, FEEDTHRU

SMA, DC - 1 GHz, 2 Watts

## SPECIFICATIONS:

Models: 3008, 3008H, 3009, 3009H, 3010, 3010H

**RoHS**  
Compliant

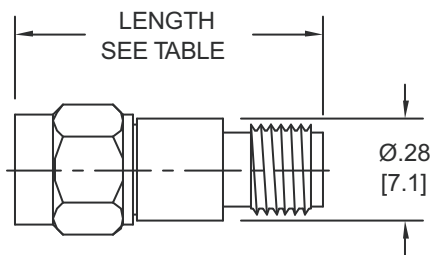
**AEROFLEX**  
A passion for performance.

### Electrical:

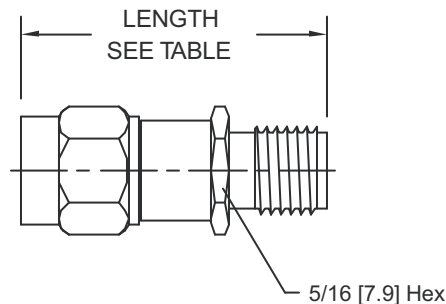
Frequency Range \_\_\_\_\_ DC - 1 GHz  
 VSWR \_\_\_\_\_ 1.25:1 Max.  
 Input Power \_\_\_\_\_ 2 Watts Avg. @ 25°C  
Derated Linearly to 0.5 Watts @ +125°C  
 Impedance \_\_\_\_\_ 50 Ohms  
 Operating Temp Range \_\_\_\_\_ -65°C to +125°C

### Mechanical:

SMA Connectors \_\_\_\_\_ Passivated Stainless Steel  
Mates with MIL-STD-348  
 Conductors \_\_\_\_\_ Gold Plated Beryllium Copper



**NO HEX STYLE**  
Model Shown **3008**



**HEX STYLE**  
Model Shown **3008H**

Base Model Number	Body Style	Connector Configuration	Length	
			Inches	Millimeters
3008	No-Hex	Male/Female	.99 ±.03	[25.1 ±0.8]
3008H	Hex			
3009	No-Hex	Male/Male	1.11 ±.03	[28.2 ±0.8]
3009H	Hex			
3010	No-Hex	Female/Female	1.00 ±.03	[25.4 ±0.8]
3010H	Hex			

Note: Dimensions in Brackets are Expressed in Millimeters and are for Reference Only.

3008: REV F



Aeroflex / Inmet, Inc. 300 Dino Drive, Ann Arbor, MI 48103 • U.S.A.  
 888-244-6638 or 734-426-5553 • FAX: 734-426-5557  
[www.aeroflex-inmet.com](http://www.aeroflex-inmet.com) • [inmet-sales@eroflex.com](mailto:inmet-sales@eroflex.com)