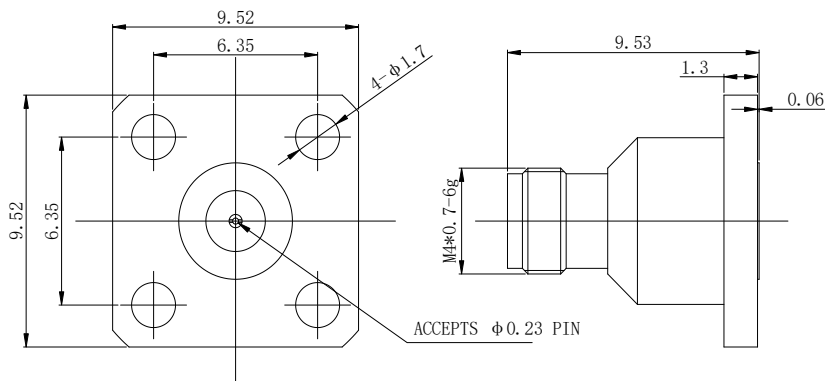


1.0MM(FEMALE) FOR GLASSBEAD

**1.0-KFD0223**

\*Dimensions are in mm

## Configuration

Connector Type	1.0MM Female
Connector Impedance	50 Ohms
Connector Polarity	Standard
Body Style	Straight
Connector Mount Method	4 Hole Flange
Connector Interface Type	Jack for 0.23mm pin
Cable Attachment Method	Contact

## Electrical Specifications

Frequency	DC to 110GHz
Insertion Loss (dB)	$\leq 0.1 \times \text{Sqrt.}(f\_GHz)$
VSWR /Return Loss	$\leq 1.45$ to 110 GHz

## Materials Information

Center Contact	CuBe Gold Plated
Out Contact	Stainless Steel
Body	Stainless Steel
Dielectric	PEI

## Environmental Data

Temperature Range	-55°C to +165°C
2002/95/EC(RoHS)	Compliant

While the information has been carefully compiled to the best of our knowledge, nothing is intended as representation or warranty of our part and no statement herein shall be construed as recommendation to infringe existing patents. In the effort to improve our products, we reserve the right to make changes judged to be necessary.