

Coaxial

Low Noise Amplifier

ZQL-2700MLNW+

50Ω

2200 to 2700 MHz

Features

- Very low noise figure, 1.5 dB max.
- High IP3, +38 dBm typ.
- Rugged, shielded case

Applications

- MMDS
- Communication systems



Case Style: CW686

Connectors	Model	Price	Qty.
SMA	ZQL-2700MLNW+	\$281.95 ea.	(1-9)

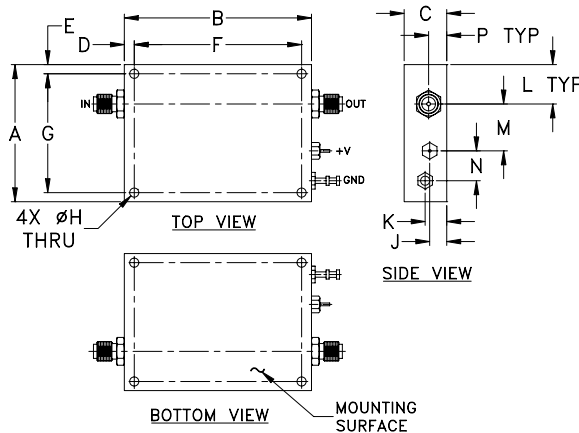
+RoHS Compliant
The +Suffix identifies RoHS Compliance. See our web site for RoHS Compliance methodologies and qualifications

Electrical Specifications

Parameter	Condition (MHz)	Min.	Typ.	Max.	Units
Frequency Range		2200		2700	MHz
Noise Figure	2200-2400	—	—	1.3	dB
	2200-2700	—	—	1.5	
Gain	2200-2400	25	—	—	dB
	2200-2700	25	—	—	
Gain Flatness	2200-2400	—	—	±1.0	dB
	2200-2700	—	—	±2.3	
Output Power at 1dB compression	2200-2400	—	+25	—	dBm
	2200-2700	—	+25	—	
Output third order intercept point	2200-2400	—	+38	—	dBm
	2200-2700	—	+38	—	
Input VSWR	2200-2400	—	1.25	—	:1
	2200-2700	—	1.25	—	
Output VSWR	2200-2400	—	1.15	—	:1
	2200-2700	—	1.15	—	
DC Supply Voltage	2200-2400	—	15	—	V
	2200-2700	—	15	—	
Supply Current	2200-2400	—	—	350	mA
	2200-2700	—	—	350	

Open load is not recommended, potentially can cause damage.
With no load derate max input power by 20 dB

Outline Drawing



Maximum Ratings

Parameter	Ratings
Operating Temperature	-40°C to 70°C
Storage Temperature	-55°C to 100°C
DC Voltage	+17V
Input RF Power (no damage)	+3 dBm

Permanent damage may occur if any of these limits are exceeded.

Outline Dimensions (inch/mm)

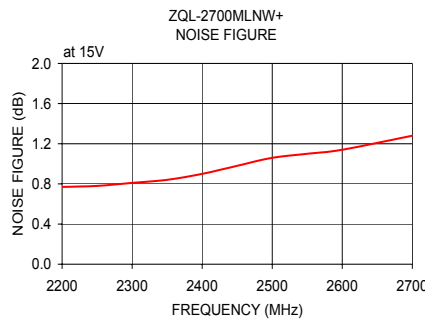
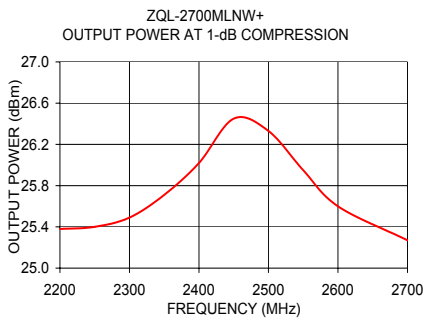
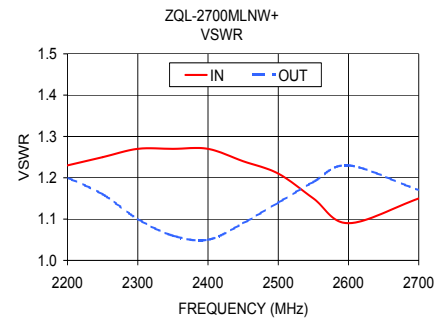
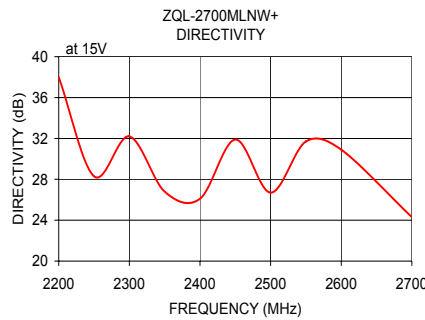
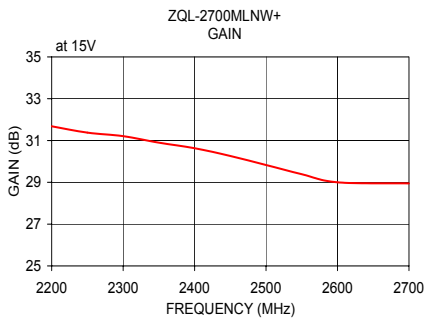
A	B	C	D	E	F	G	H	J	K	L	M	N	P	wt
1.77	2.42	.55	.13	.12	2.165	1.535	.126	.22	.28	.51	.61	.39	0.22	grams
44.96	61.47	13.97	3.30	3.05	55.0	39.0	3.20	5.59	7.11	12.95	15.49	9.91	5.59	71.0

Notes

- Performance and quality attributes and conditions not expressly stated in this specification document are intended to be excluded and do not form a part of this specification document.
- Electrical specifications and performance data contained in this specification document are based on Mini-Circuit's applicable established test performance criteria and measurement instructions.
- The parts covered by this specification document are subject to Mini-Circuits standard limited warranty and terms and conditions (collectively, "Standard Terms"); Purchasers of this part are entitled to the rights and benefits contained therein. For a full statement of the Standard Terms and the exclusive rights and remedies thereunder, please visit Mini-Circuits' website at www.minicircuits.com/MCLStore/terms.jsp



FREQUENCY (MHz)	GAIN (dB)	DIRECTIVITY (dB)	VSWR (:1)		NOISE FIGURE (dB)	POUT at 1 dB COMPR. (dBm)
	15V		IN	OUT		
2200.00	31.68	38.00	1.23	1.20	0.77	25.38
2250.00	31.38	28.30	1.25	1.16	0.78	25.40
2300.00	31.21	32.20	1.27	1.10	0.81	25.49
2350.00	30.90	26.80	1.27	1.06	0.84	25.71
2400.00	30.63	26.10	1.27	1.05	0.90	26.02
2450.00	30.26	31.90	1.24	1.09	0.98	26.45
2500.00	29.83	26.70	1.21	1.14	1.06	26.33
2550.00	29.39	31.70	1.15	1.19	1.10	25.95
2600.00	29.00	30.90	1.09	1.23	1.14	25.60
2700.00	28.95	24.30	1.15	1.17	1.28	25.27



Notes

- A. Performance and quality attributes and conditions not expressly stated in this specification document are intended to be excluded and do not form a part of this specification document.
- B. Electrical specifications and performance data contained in this specification document are based on Mini-Circuit's applicable established test performance criteria and measurement instructions.
- C. The parts covered by this specification document are subject to Mini-Circuits standard limited warranty and terms and conditions (collectively, "Standard Terms"); Purchasers of this part are entitled to the rights and benefits contained therein. For a full statement of the Standard Terms and the exclusive rights and remedies thereunder, please visit Mini-Circuits' website at www.minicircuits.com/MCLStore/terms.jsp

