

Directional Coupler



50Ω SMA 13dB Directional Coupler(0.5 ~ 26.5G)

GDC-13-005265

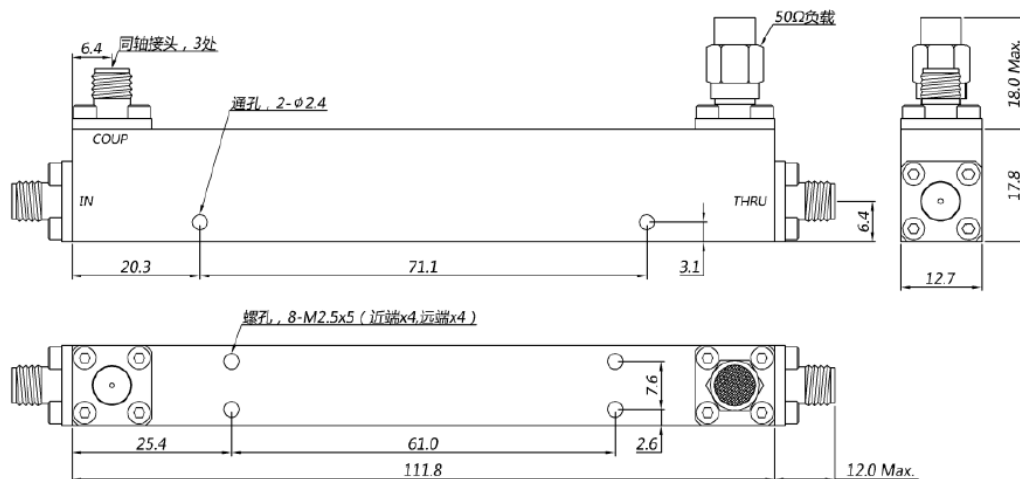
Electrical Specifications

Frequency Range, GHz	0.5 ~ 26.5
Impedance, Ohms	50
Nominal Coupling[dB]	13±0.7
Frequency Flatness Max.[dB]	±1
Main VSWR Max.	1.5
Coupling VSWR Max.	1.5
Insertion Loss Max.[dB]	2.2
Directivity Min.[dB]	14
CW Power Max.[W]	20
Peak Power Max.[kW]	3

Mechanical Specifications

Conn.Type	SMA(F)
Weight Max[g]	90
Operating Range deg.[C]	-55 ~ +85
Color	Black

Outline Drawing



Notes

- Insert loss does not include theoretical coupling insert loss[0.22dB].
- Compliant MIL-STD-810G environment test standard.