

### Manual Step Attenuator

- ◆ DC to 4GHz
- ◆ 0 to 60dB in 10dB Step
- ◆ 2 Watt
- ◆ Choice of SMA or N Type Connectors



### Features

- Using advanced microstrip technology, ultra-small size
- Attenuation values are adjustable in a power-on state, no sudden big reflection.  
It adopts an innovative technology, and thus it eliminates sudden big reflection in attenuators when attenuation is being adjusted, preventing the preliminary RF circuit from being burnt, and keeping the system stable
- Step values: 10dB, 10dB, 10dB,10dB,10dB, 10dB
- 7 attenuation values
- High attenuation accuracy, low insertion loss
- High adjustment accuracy
- Low cost – High Performance
- Adjusting the transmitting (receiving) distance of RF signal precisely. Adjusting accuracy is limited to 5cm.
- Switch repeatability avg.> 10000 operations (5000 cycles) per switch.
- PC(Polycarbonate) Switch, operating temperature of 120°C is available.
- Attenuation values are adjustable in a power-on state, test data can be read continuously, no interruption.

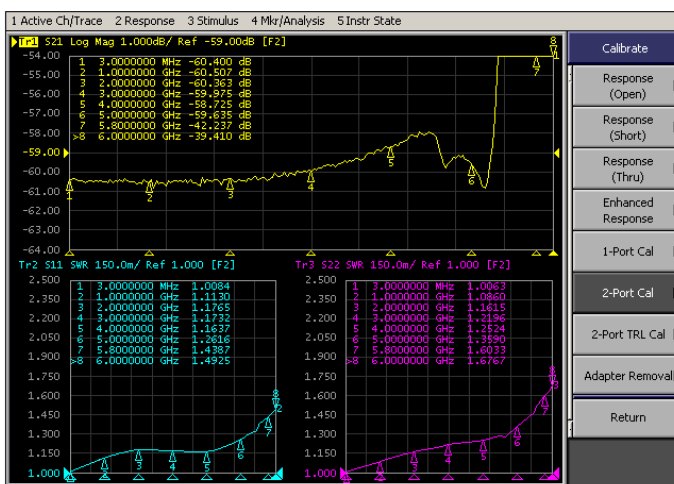
### Specifications

Frequency Range	DC to 4GHz
Attenuation	0 to 60dB
Step Value	10dB
Insertion loss at 0dB	1.4dB at 3GHz 2.2dB at 4GHz
Attenuation Accuracy (typical)	-1.5 to +2.0dB at 4GHz
Nominal Impedance	50 Ohm
Average Power	2 Watt
Operating Temperature	-40°C to +85°C

FREQ. RANGE (GHz)	Typical SWR(:1)	Maximum SWR(:1)
DC to 4	1.20	1.40

### Characteristic

For example the testing curves of VAS066010S22 of 60dB



Yantel Corporation

Add: 3F, Building 3, Southern District 2 of ZhongGuan Honghualing Industrial Park, Xili, Nanshan, Shenzhen, China

Tel: 86-755-8355-1886 Fax: 86-755-8355-2533

Rev A2.4

For detailed performance specs & shopping online see Yantel web site : [www.yantel-corp.com](http://www.yantel-corp.com)

1 / 4

### Model No. Description

VAS      \*\*                      \*\*                      \*\*                      \*                      \*                      \*  
                                  Type                      Attenuation Range                      Step Value                      Connector Type                      Max. Power                      Connector Option

**VAS:** Step Variable Attenuator

**Type:** 06 represents type number

**Attenuation Range:** Maximum attenuation.

**Connector Type:** S and N available. S is SMA and N is N type connector.

**Max. Power:** 2 and 5 are available, currently 2W and 5W are available.

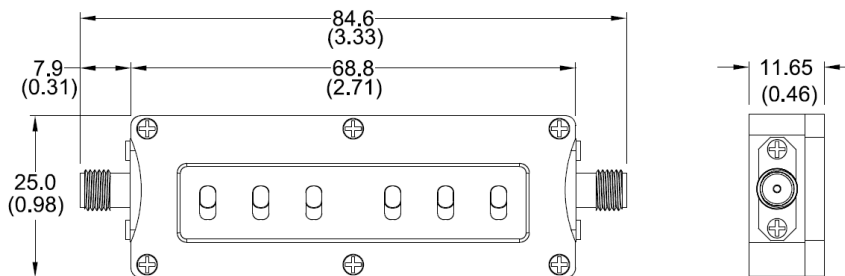
**Connector Options:**

Options	IO
1	Female/Female
2	Male/Female
3	Male/Male

**Connector Position:** "A" represents back connectors, without "A" represents left and right connectors.

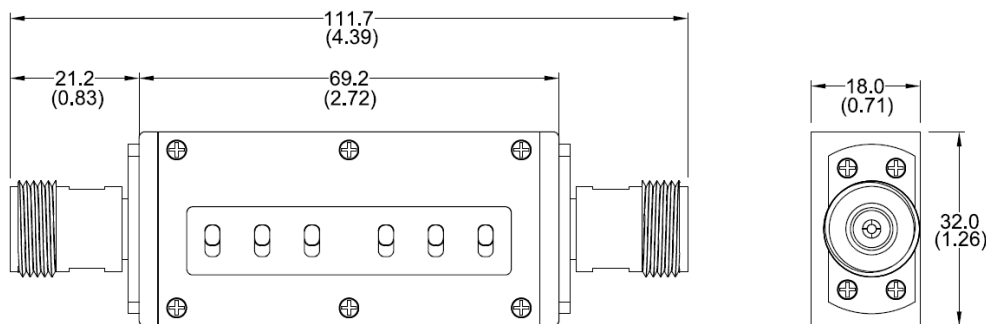
### Package Outlines

**SMA Connector** Unit : mm ( inch )



Package type: S21, Net weight: 37g

### N-type Connector



Package type: N21, Net weight: 144g

**NOTE:**

1. ALL dimensions shown in mm(tolerance: +/-0.2mm) unless stated otherwise
2. RoHS Compliant in accordance with EU Directive(2011/65/EU)

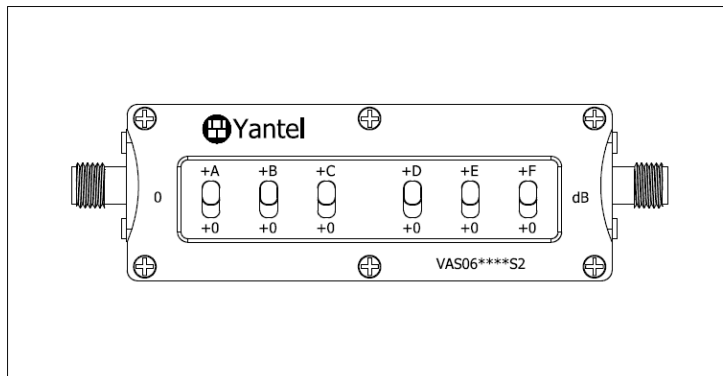
**Yantel Corporation**

Add: 3F, Building 3, Southern District 2 of ZhongGuan Honghualing Industrial Park, Xili, Nanshan, Shenzhen, China  
 Tel: 86-755-8355-1886 Fax: 86-755-8355-2533

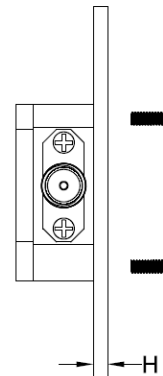
**Mounting Instructions:**

This product is panel-mountable via screws.

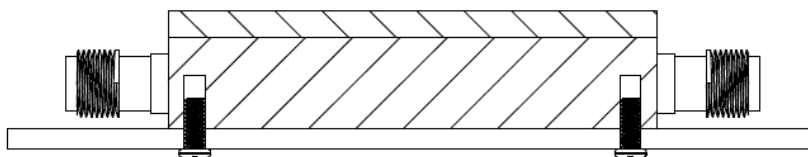
- Four mounting holes on the product plate. Refer to Fig2, Fig6.
- H represents the thickness of panel. Refer to Fig3, Fig4.
- Recommended length of the screw is 3mm+H. Refer to Fig5.



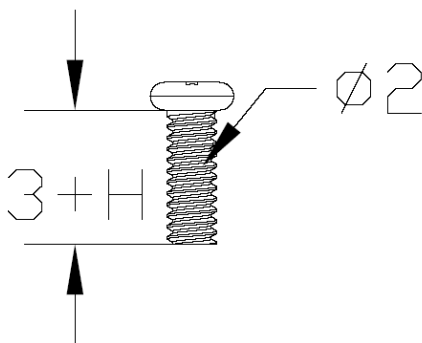
**Front View Fig 2**



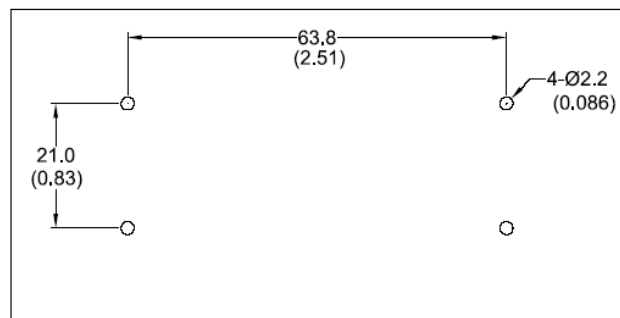
**Lateral View Fig 3**



**Sectional View Fig 4**



**Recommended length of the screw Fig 5**

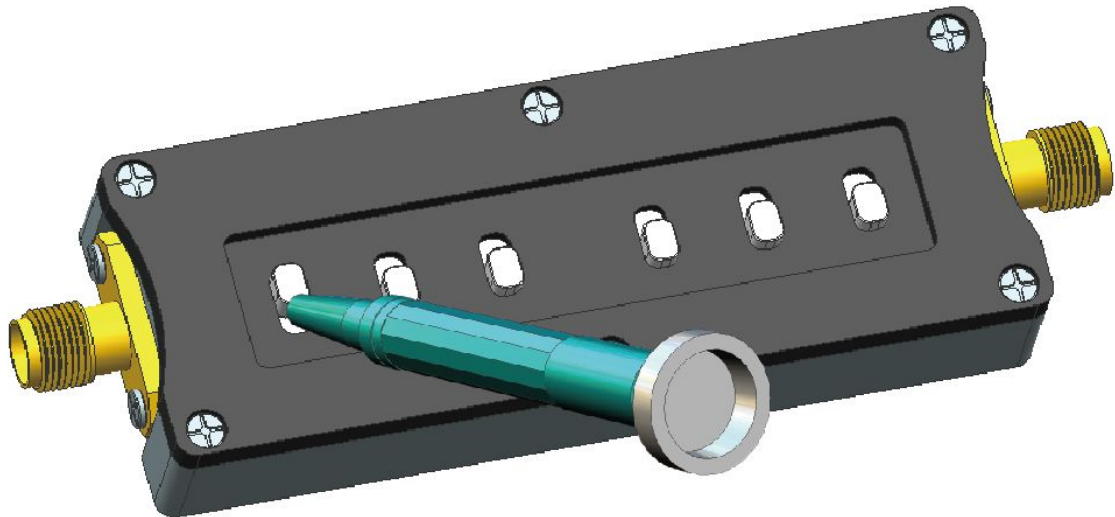


**Mounting holes on user's panel Fig 6**

**Note:**

Attempt to disassemble the product can damage it and void your warranty. In case of any malfunction, please contact your local representative, distributor or the factory immediately.

---

**Attention**

It is much easier to adjust the switch by tools like plastic screw driver.