

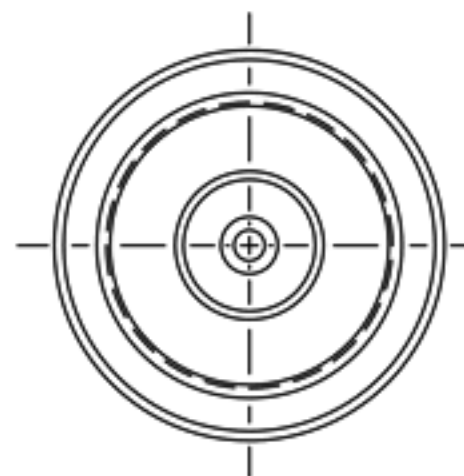
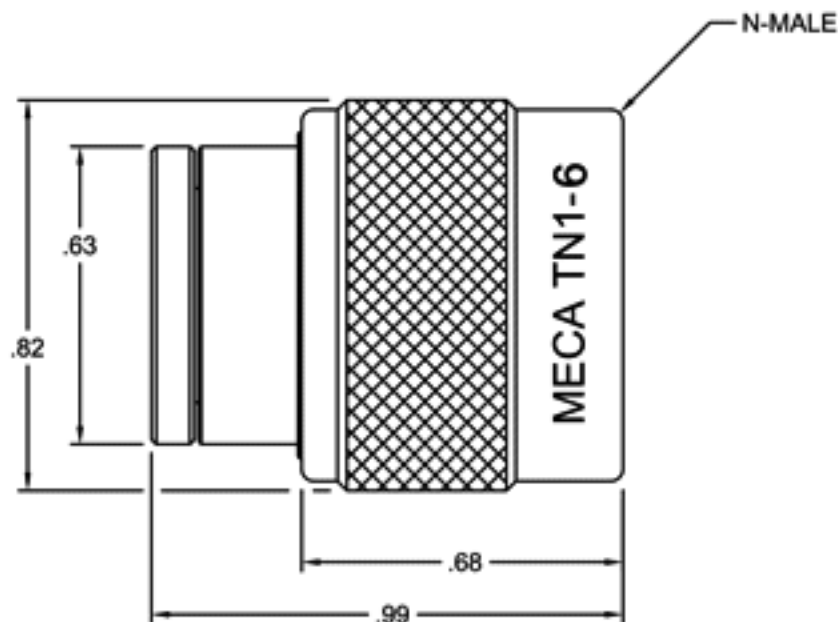
ELECTRICAL SPECIFICATIONS

IMPEDANCE (NOMINAL): 50 OHMS
 POWER (AVG): 1 WATT @ +25°C
 DERATES LINEARLY TO
 0 WATTS @ +125°C
 (PEAK): 1,000 WATTS 5 μSEC PULSE,
 0.05% DUTY CYCLE


MODEL NO.	VSWR				
	FREQUENCY (GHz)				
	DC - 1	1 - 3	3 - 6	6 - 12	12 - 18
TN1-3	1.05 : 1	1.10 : 1			
TN1-6	1.05 : 1	1.10 : 1	1.10 : 1		
TN1-18	1.05 : 1	1.10 : 1	1.10 : 1	1.20 : 1	1.30 : 1

MECHANICAL SPECIFICATIONS

CONNECTOR NUT: BRASS, ALBALOY PLATED
 CONTACT PIN: BRASS, GOLD PLATED
 HOUSING: BRASS, ALBALOY PLATED
 INSULATOR: PTFE, VIRGIN ELECTRICAL GRADE
 OPERATING TEMPERATURE: -55° TO +85°C
 WEIGHT: 1.3 oz



This document gives only a description of the product(s) and shall not form part of any contract. Please contact a MECA Applications Engineer for the most current specification drawing.

MATERIAL: SEE ABOVE		UNLESS OTHERWISE SPECIFIED, DIMENSIONS ARE IN INCHES			ELECTRONICS, INC. DENVER, NEW JERSEY e-meca.com	
FINISH: SEE ABOVE		TOLERANCES 2 PLACES: ±.01 3 PLACES: N/A ANGLES: N/A			TITLE TERMINATION, 50 OHMS, TYPE N-MALE, 1 WATT	
DRAWN:	DATE:	TIR: N/A		CODE IDENT. NO. 22424	DRAWING NO. TN1-6	
APPROVED:	DATE:	SCALE: NTS	SIZE A			
		SHEET: 1 OF 1				

LTR	PG	DESCRIPTION	DATE	DR	APP