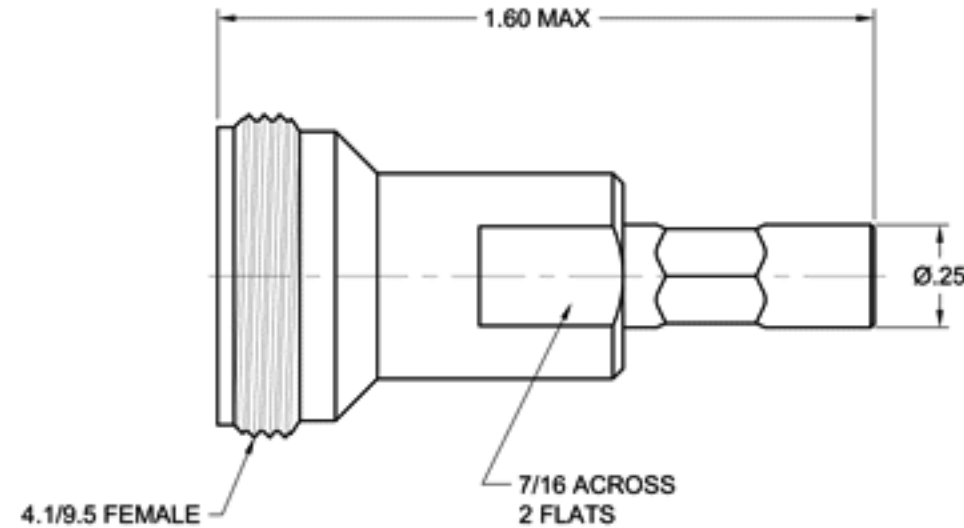
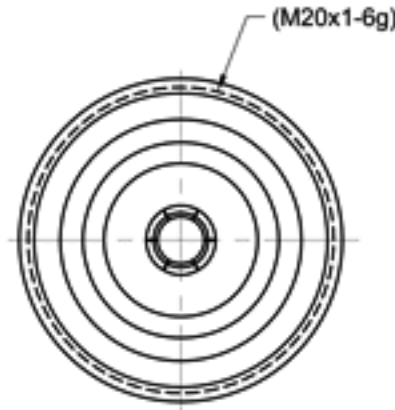


# ELECTRICAL SPECIFICATIONS


FREQUENCY (GHz):	Hz - 3.0 GHz
IMPEDANCE (NOM):	50 Ohms
VSWR (MAX):	
Hz - 1.0 GHz:	1.10 : 1 TYP/1.15 :1 MAX
1.0 - 2.0 GHz:	1.15 : 1 TYP/ 1.25 :1 MAX
2.0 - 3.0 GHz:	1.25 : 1 TYP/ 1.40 :1 MAX
POWER (AVG):	1 WATT @ +25°C
	DERATES LINEARLY TO
	0 WATTS @ +125°C
(PEAK):	2 KWATTS 5 μSEC PULSE, 0.05% DUTY CYCLE

# MECHANICAL SPECIFICATIONS

CONNECTOR:	BRASS, ALBALOY PLATE
CONTACT PIN:	BERYLLIUM COPPER, SILVER PLATE
COUPLING TORQUE:	112 ± 22 in.lbs
INSULATOR:	PTFE, VIRGIN ELECTRICAL GRADE
OPERATING TEMPERATURE:	-55°C TO +85°C
WEIGHT (NOMINAL):	1.20 oz



This document gives only a description of the product(s) and shall not form part of any contract. Please contact a MECA Applications Engineer for the most current specification drawing.

MATERIAL: SEE ABOVE		UNLESS OTHERWISE SPECIFIED, DIMENSIONS ARE IN INCHES		 <b>ELECTRONICS, INC.</b> DENVER, NEW JERSEY e-MECA.com	
FINISH: SEE ABOVE		TOLERANCES 2 PLACES: ±.02 3 PLACES: ±.010 ANGLES: N/A			
DRAWN:	DATE:	TIR: N/A		TITLE TERMINATION, 1 WATT, 4.1/9.5 (MINI-DIN) FEMALE	
APPROVED:	DATE:	SCALE: NTS	SIZE A	CAGE CODE NO. 22424	DRAWING NO. TMDF1-3
		SHEET: 1 OF 1			

LTR	PG	DESCRIPTION	DATE	DR	APP
-----	----	-------------	------	----	-----