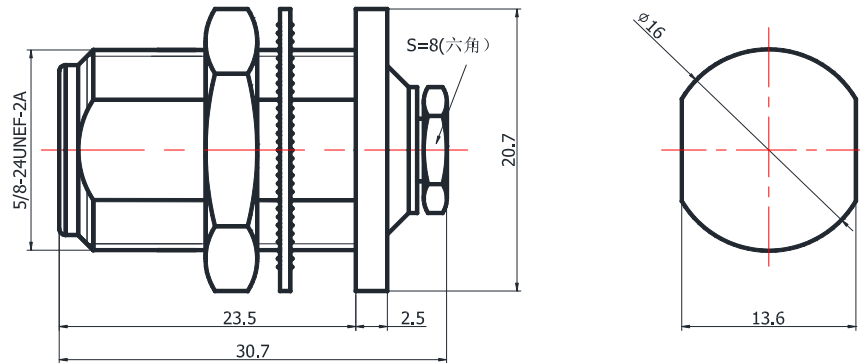


N STRAIGHT JACK
WITH BULKHEAD

N-KYB3



*Dimensions are in mm

Configuration

Connector 1 Type	N Female
Connector 1 Impedance	50 Ohms
Connector 1 Polarity	Standard
Body Style	Straight
Connector Mount Method	Bulkhead
Connector 2 Interface Type	141 Series
Cable Attachment Method	Solder

Electrical Specifications

Frequency	DC to 6 GHz
Insertion Loss (dB)	$\leq 0.1 \times \sqrt{f_{\text{GHz}}}$
VSWR /Return Loss	1.25 to 6 GHz

Materials Information

Center Contact	CuBe Gold Plated
Outer Contact	Brass Nickel Plated
Body	Brass Nickel Plated
Dielectric	PTFE

Environmental Data

Temperature Range	-40°C to +165°C
2002/95/EC(RoHS)	Compliant

While the information has been carefully compiled to the best of our knowledge, nothing is intended as representation or warranty on our part and no statement herein shall be construed as recommendation to infringe existing patents. In the effort to improve our products, we reserve the right to make changes judged to be necessary.