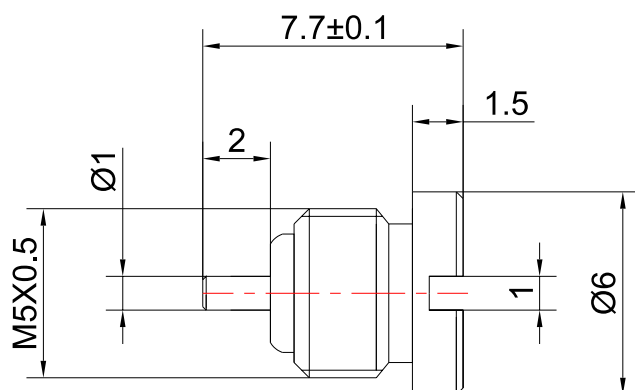


## MCX Female Bulkhead Mount Connector PCB,DC-6GHz

MCX-KYD1E



Dimensions are in mm

### Product Configuration

Body Style	Straight
Connector Series	MCX
Connector Polarity	Standard
Connector Gender	Female
Termination Type	PCB
Connector Impedance (Ohm)	50
Mount Method	Bulkhead

### Electrical Specifications

Frequency	DC-6GHz
VSWR	1.2
Insertion Loss	$\leq 0.1 \times \sqrt{f_{GHz}}$

### Mechanical Data

Mating Cycles, Min	$\geq 500$
Weight	0.49
Body Material	Brass
Body Plating	Gold

### Environmental Specifications

RoHS Compliant	Yes
Operating Temperature Range	-55 °C to +165 °C
MIL/STD	N/A