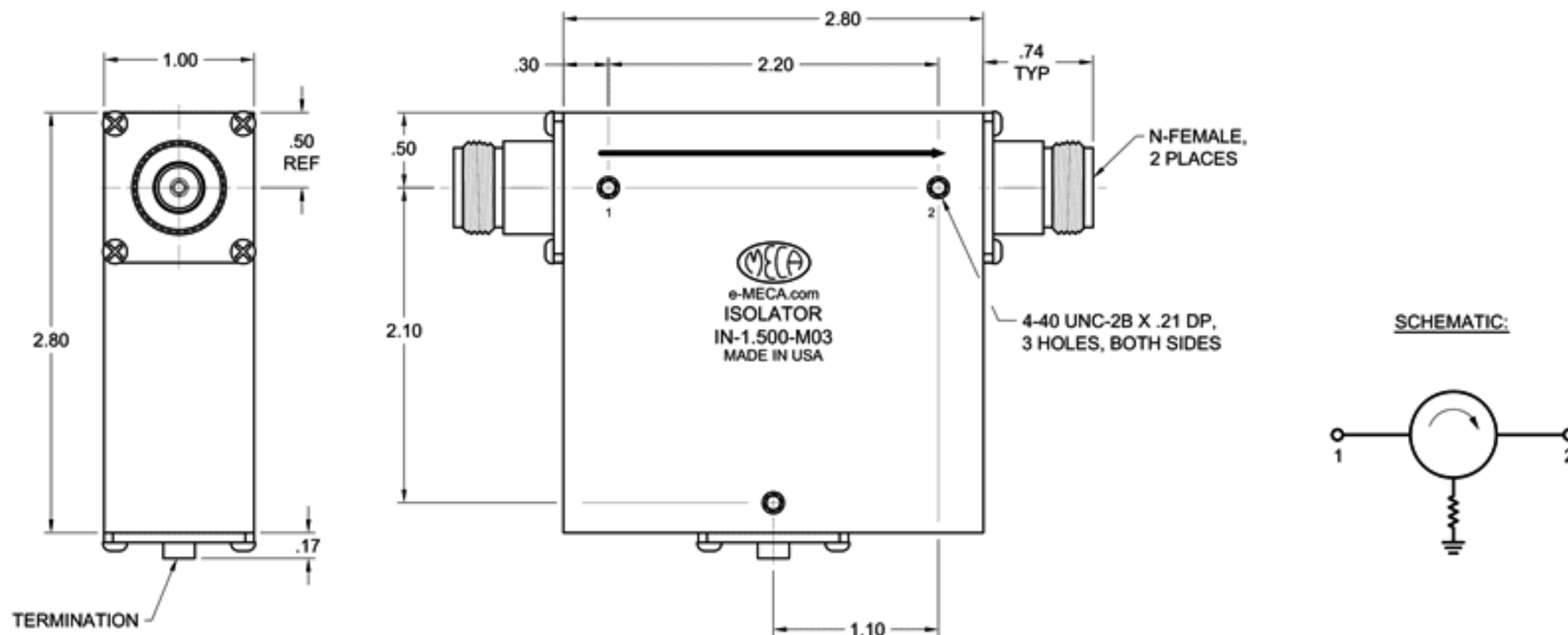


ELECTRICAL SPECIFICATIONS

FREQUENCY RANGE (GHz):	1.000-2.000
IMPEDANCE (NOMINAL):	50 Ohms
VSWR:	1.20 TYP/1.30 MAX
INSERTION LOSS (dB):	0.40 TYP/0.5 MAX
ISOLATION (dB):	18 MIN/20 TYP
POWER: AVG:	10 W

MECHANICAL SPECIFICATIONS

CONNECTORS:	N-FEMALE, NICKEL PLATED BRASS
CONTACT PINS:	BERYLLIUM COPPER, GOLD PLATE
OPERATING TEMPERATURE:	0°C TO +55°C
WEIGHT (APPROX):	16.0 oz



This document gives only a description of the product(s) and shall not form part of any contract. Please contact a MECA Applications Engineer for the most current specification drawing.

MATERIAL: SEE ABOVE		UNLESS OTHERWISE SPECIFIED, DIMENSIONS ARE IN INCHES			ELECTRONICS, INC. DENVER, NEW JERSEY e-MECA.com	
FINISH: SEE ABOVE		TOLERANCES 2 PLACES: ±.03 3 PLACES: ±.010 ANGLES: N/A			TITLE ISOLATOR, 1.000-2.000 GHz, N-FEMALE	
DRAWN:	DATE:	TIR: N/A		CODE IDENT. NO. 22424	DRAWING NO. IN-1.500-M03	
APPROVED:	DATE:	SCALE: NTS	SIZE A			
SHEET: 1 OF 1						