

Power Divider/Combiner

Gwave

50Ω 2 Way SMA Power Divider(0.5 ~ 8G)

GPD-2-005080-E

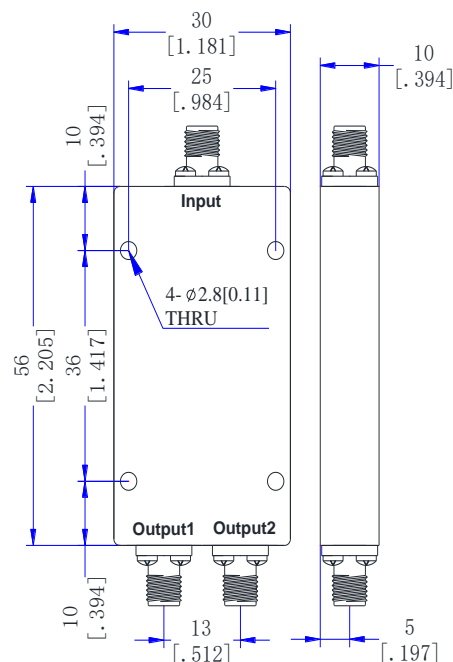
Electrical Specifications

Frequency Range, GHz	0.5 ~ 8
Impedance, Ohms	50
Insertion Loss Max.[dB]	1.0
Amp.Bal. Max.[dB]	±0.2
Input VSWR Max.	1.25
Output VSWR Max.	1.20
Isolation Min.[dB]	18
Phase Bal. Max.[Deg.]	±3
CW Power Max.[W]	20

Mechanical Specifications

Conn.Type	SMA(F)
Weight Max[g]	50
Operating Range deg.[C]	-45 ~ 85
Color	Black paint

Outline Drawing



Notes

- Insert loss does not include theoretical power distribution insert loss[3dB].
- Compliant MIL-STD-810G environment test standard.