

# Probe DATASHEET



GS 50Ω, 1.85mm Connector,  
DC-67GHz,150μm

**GPB67-GS-150**

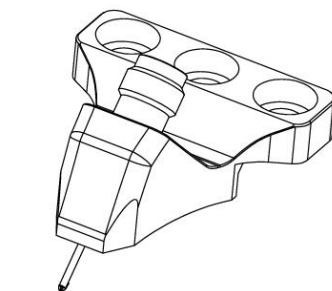
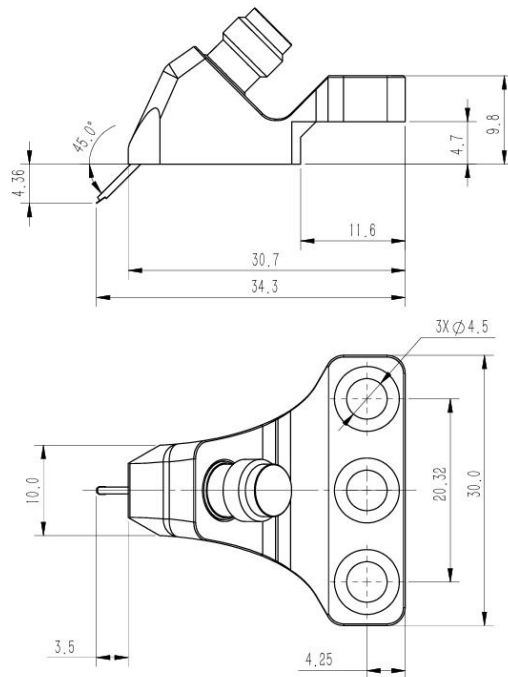
## Electrical Specifications

Frequency Range (GHz)	DC ~ 67
Impedance (Ω)	50
Insertion Loss (dB)	<1.7
Return Loss (dB)	>12
Tip Configuration	GS
Pitch (μm)	150
Tip Width (μm)	30
Overtravel (μm)	20-60
Skating Distance (μm)	10-30

## Mechanical Specifications

Connector Type	1.85mm Female
Operating Temperature	-40°C~+175°C
Tip Material	Nickel Alloy

## Outline Drawing



Dimensions are in mm

# Probe DATASHEET

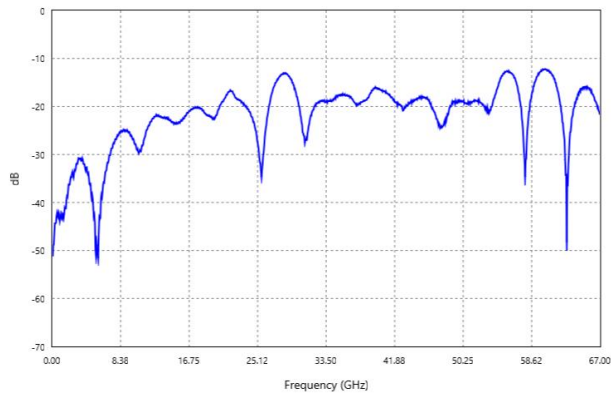


GS 50Ω, 1.85mm Connector,  
DC-67GHz,150μm

**GPB67-GS-150**

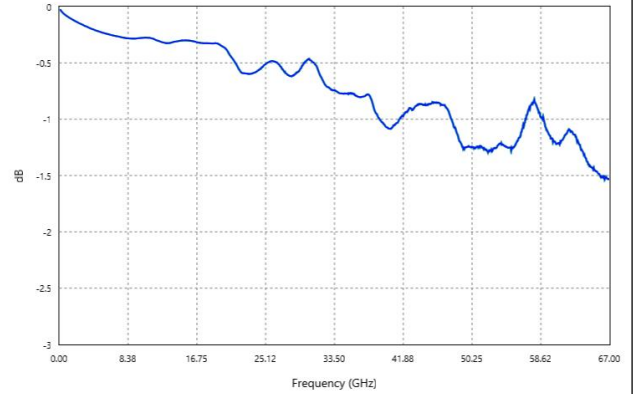
## Test data

S11 FORWARD REFLECTION



Minimum return loss for this probe is -12.20dB

S21 FORWARD TRANSMISSION



Maximum insertion loss for this probe is -1.54dB