

# Probe DATASHEET



SG 50Ω, SMA Connector,  
DC-26GHz,150μm

**GPB26-SG-150**

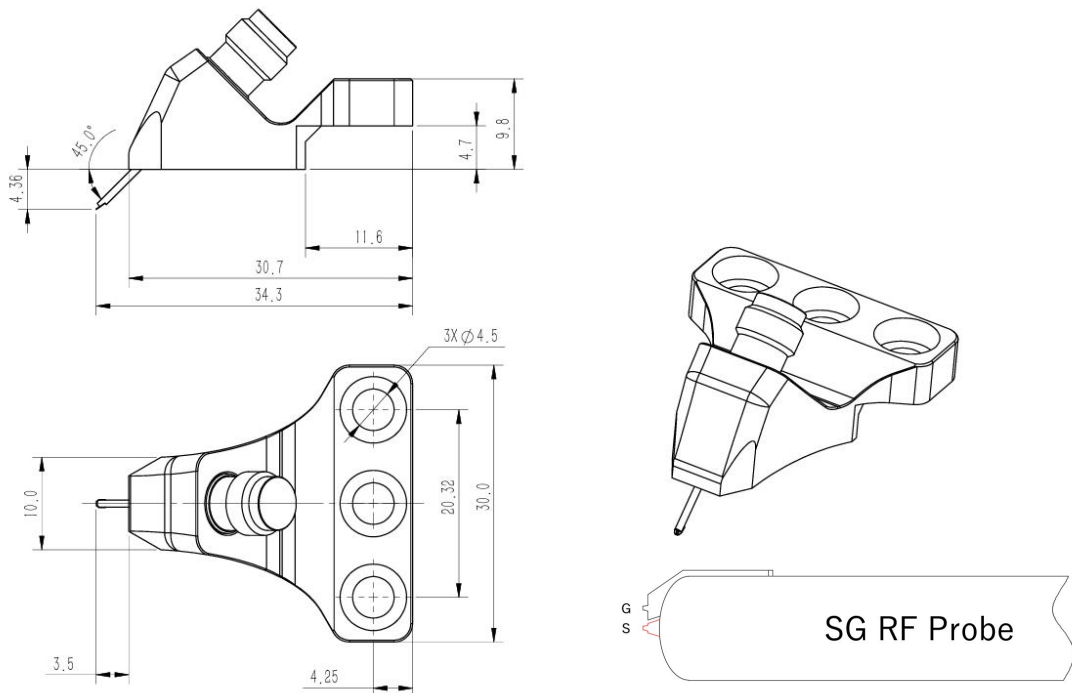
## Electrical Specifications

Frequency Range (GHz)	DC ~ 26
Impedance (Ω)	50
Insertion Loss (dB)	<0.9
Return Loss (dB)	>14
Tip Configuration	SG
Pitch (μm)	150
Tip Width (μm)	30
Overtravel (μm)	20-60
Skating Distance (μm)	10-30

## Mechanical Specifications

Connector Type	SMA Female
Operating Temperature	-40°C~+175°C
Tip Material	Nickel Alloy

## Outline Drawing



Dimensions are in mm

# Probe DATASHEET

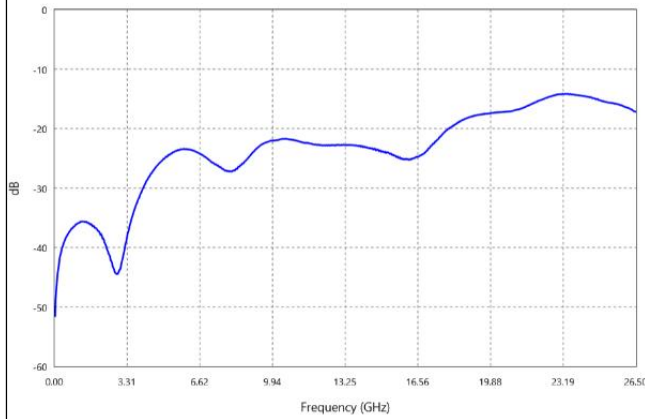


SG 50Ω, SMA Connector,  
DC-26GHz,150μm

**GPB26-SG-150**

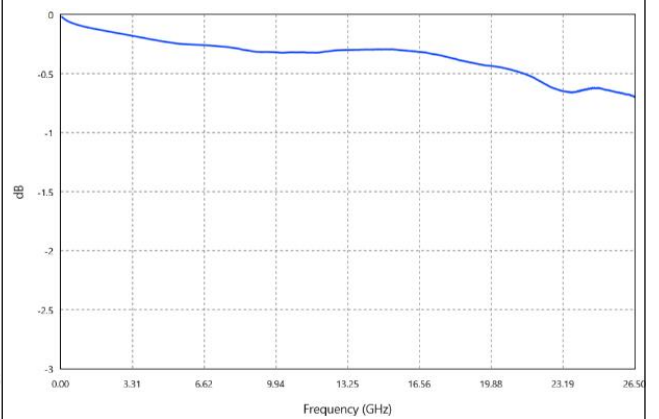
## Test data

S11 FORWARD REFLECTION



Minimum return loss for this probe is -14.10dB

S21 FORWARD TRANSMISSION



Maximum insertion loss for this probe is -0.69dB