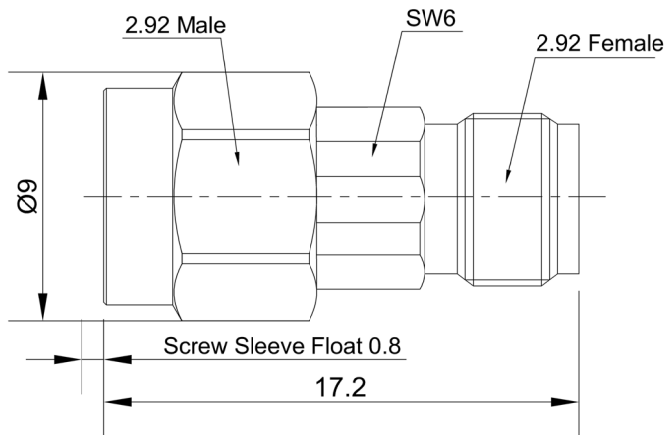


2.92mm Male to 2.92mm Female Operating from 10 MHz to 40 GHz

GDCB-40G-292E



Dimensions are in mm

Product Configuration

| | |
|-------------------------------|----------|
| Connector-In Series | 2.92mm |
| Connector-In Polarity | Standard |
| Connector-In Gender | Male |
| Connector-In Impedance (Ohm) | 50 |
| Connector-Out Series | 2.92mm |
| Connector-Out Polarity | Standard |
| Connector-Out Gender | Female |
| Connector-Out Impedance (Ohm) | 50 |
| Block Type | Inner |

Mechanical Data

| | |
|-----------------------------|-----------------|
| Mating Cycles, Min | ≥ 500 |
| Weight | 4.6 |
| Body Material | Stainless Steel |
| Body Plating | Passivated |
| Connector In Body Material | Stainless Steel |
| Connector In Body Plating | Passivated |
| Connector Out Body Material | Stainless Steel |
| Connector Out Body Plating | Passivated |

2.92mm Male to 2.92mm Female Operating from 10 MHz to 40 GHz

GDCB-40G-292E

Electrical Specifications

| | |
|--------------------------|----------------|
| VSWR | <1.3 |
| Insertion Loss | ≤0.5dB |
| Power, Max Input (Watts) | 2 |
| Frequency Range | 10MHz to 40GHz |
| Voltage, DC Max (Volts) | +60 |

Environmental Specifications

| | |
|-----------------------------|------------------|
| RoHS Compliant | Yes |
| Operating Temperature Range | -55 °C to +85 °C |