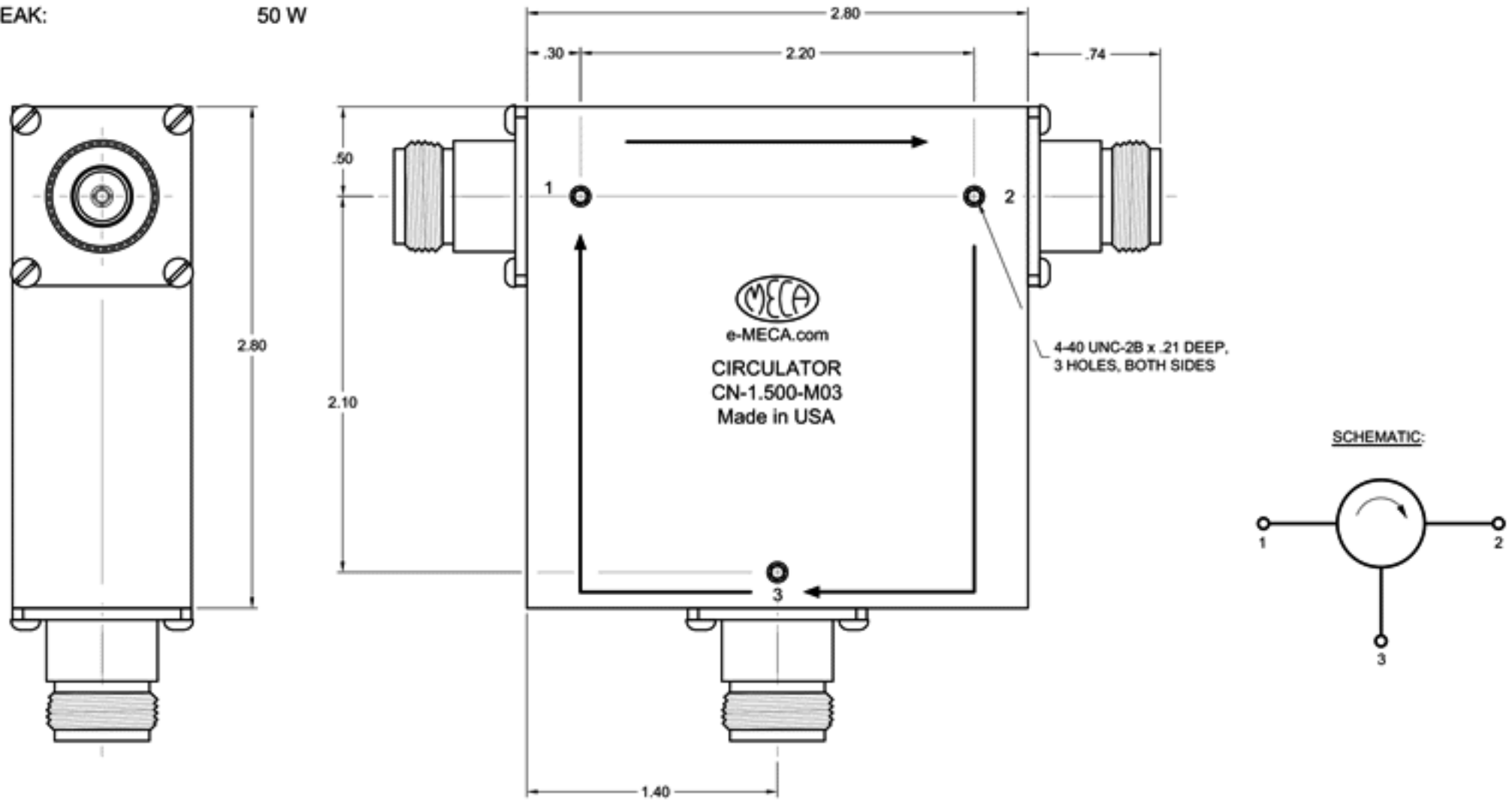


ELECTRICAL SPECIFICATIONS

FREQUENCY RANGE (GHz):	1.000-2.000
IMPEDANCE:	50 OHMS
VSWR:	1.25 TYP/1.35 MAX
INSERTION LOSS (dB):	0.40 TYP/0.5 MAX
ISOLATION (dB):	20 TYP/17 MIN
POWER: AVG (ALL PORTS):	50 W
PEAK:	50 W

MECHANICAL SPECIFICATIONS

CONNECTORS:	N-FEMALE, STAINLESS STEEL, PASSIVATE
CONTACT PINS:	BERYLLIUM COPPER, GOLD PLATE
OPERATING TEMPERATURE:	0°C TO +55°C
WEIGHT (APPROX):	16.0 oz



This document gives only a description of the product(s) and shall not form part of any contract. Please contact a MECA Applications Engineer for the most current specification drawing.

MATERIAL: SEE ABOVE		UNLESS OTHERWISE SPECIFIED, DIMENSIONS ARE IN INCHES			ELECTRONICS, INC. DENVER, NEW JERSEY e-MECA.com	
FINISH: SEE ABOVE		TOLERANCES 2 PLACES: ±.03 3 PLACES: ±.010 ANGLES: N/A			TITLE CIRCULATOR, 1.000 - 2.000 GHz, N-FEMALE	
DRAWN:	DATE:	TIR: N/A		CODE IDENT. NO. 22424	DRAWING NO. CN-1.500-M03	
APPROVED:	DATE:	SCALE: NTS	SIZE A			
		SHEET: 1 OF 1				

LTR	PG	DESCRIPTION	DATE	DR	APP
-----	----	-------------	------	----	-----