

DIRECTIONAL COUPLER

C-0250

Features

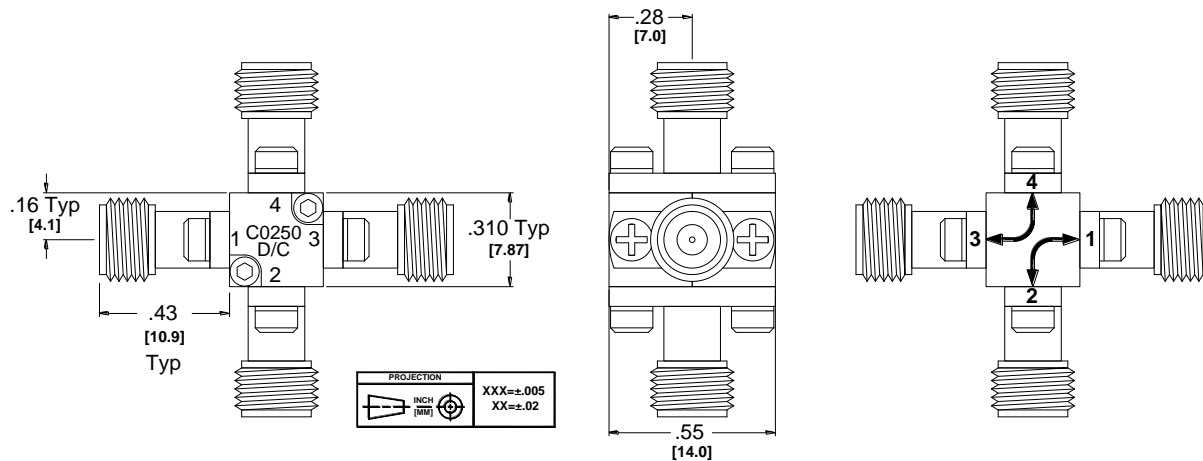
- Low Insertion Loss
- Broadband Performance
- Compact Size and Lightweight
- [Microwave Power Dividers & Couplers App Note](#)



Electrical Specifications

Parameter ¹	Frequency Range (GHz)	Min	Typ	Max
Direct Line Insertion Loss (dB)	DC to 25		0.3	0.6
	25 to 50		0.7	1.4
Coupling (dB)	50		12	
	2		35	
VSWR	2 to 25		1.25	1.55
	25 to 50		1.65	
Directivity (dB)	2 to 25		15	
	25 to 50		10	
Weight (g)			15	

¹Specifications guaranteed when operated in a 50Ω system. Consult factory for more information.



Typical Performance

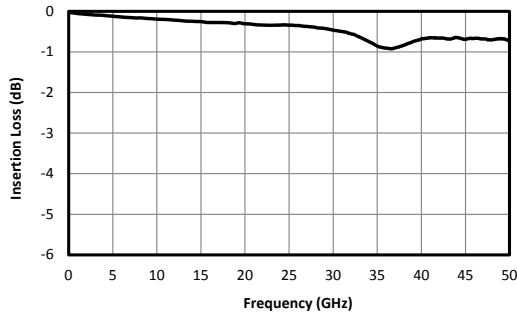


Fig. 1. Direct line insertion loss.

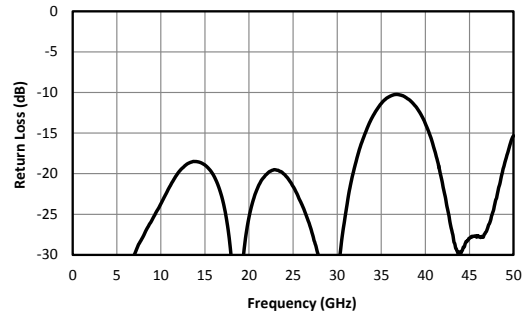


Fig. 2. Typical port return loss.

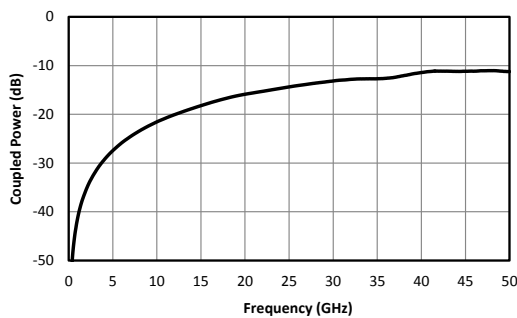


Fig. 3. Coupled port power.

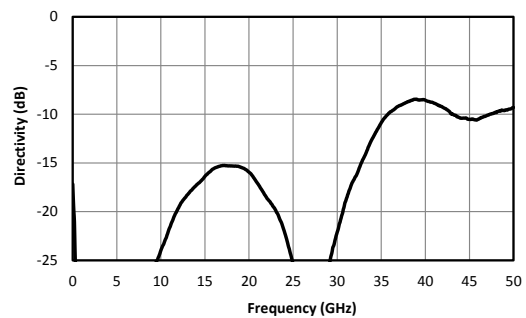


Fig. 4. Typical directivity.

Model Number	Description
C-0250	2 – 50 GHz Directional Coupler with 2.4 mm connectors ¹ .

¹Default is 2.4 mm female connectors. Consult factory for other connector options.

Marki Microwave reserves the right to make changes to the product(s) or information contained herein without notice. Marki Microwave makes no warranty, representation or guarantee regarding the suitability of its products for any particular purpose, nor does Marki Microwave assume any liability whatsoever arising out of the use of or application of any product.

© Marki Microwave, Inc.

