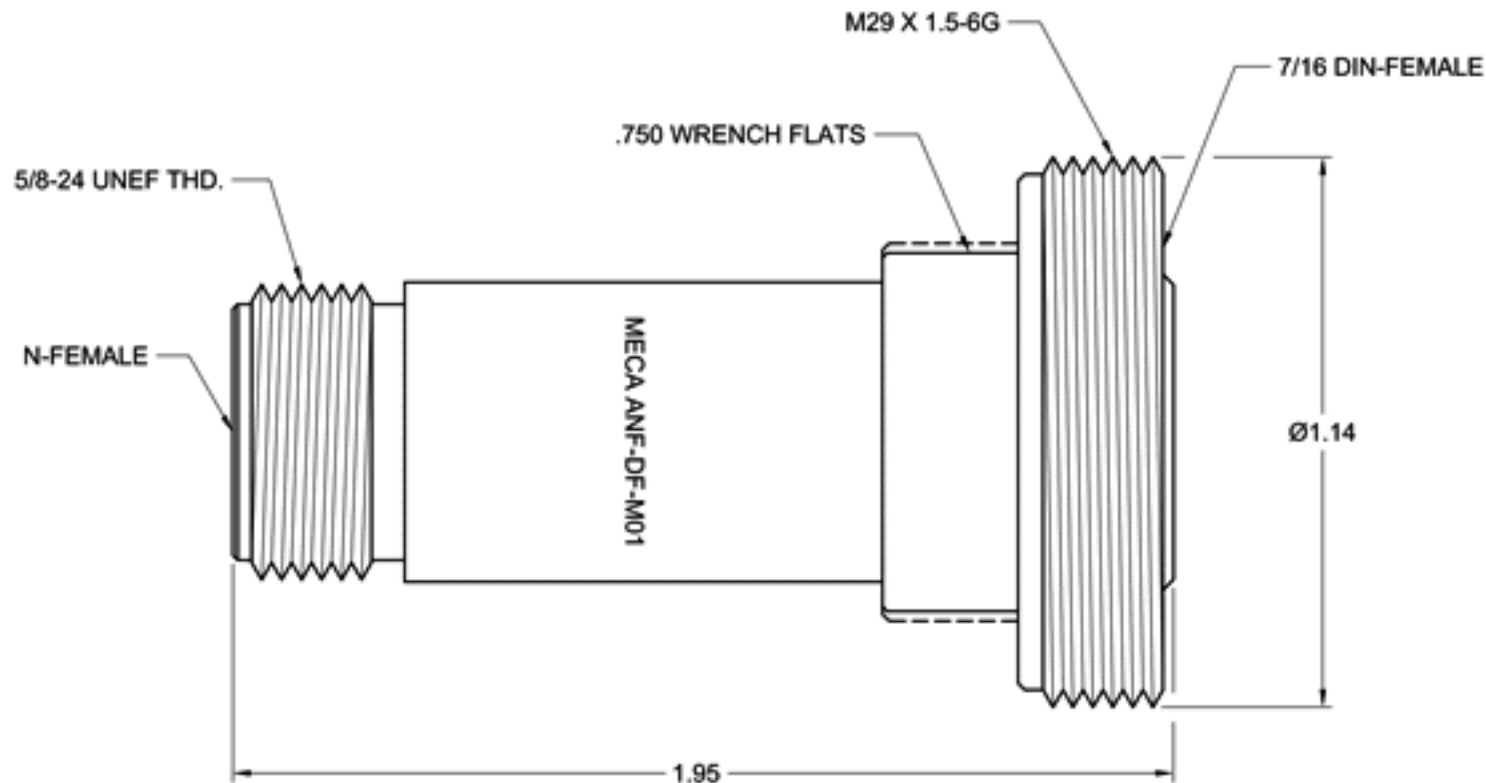


SPECIFICATIONS


FREQUENCY RANGE (GHz): DC - 7.5 GHz
 IMPEDANCE (NOMINAL): 50 Ohms
 TEMPERATURE RANGE: -65°C TO +85°C
 VSWR: Hz - 1.0 1.05:1
 1.0 - 4.0 1.15:1
 4.0 - 7.5 1.25:1
 PIM: < -160 dBc

MFG CODE	DESCRIPTION
/M	N-FEMALE TO DIN-FEMALE ADAPTER



BODY: BRASS, ALBALOY PLATED
 CENTER CONTACT: BeCu, SILVER PLATED

This document gives only a description of the product(s) and shall not form part of any contract. Please contact a MECA Applications Engineer for the most current specification drawing.

MATERIAL: SEE ABOVE		TOP LEVEL ASSY: VARIOUS		 ELECTRONICS, INC. DENVER, NEW JERSEY e-MECA.com				
FINISH: SEE ABOVE		UNLESS OTHERWISE SPECIFIED, DIMENSIONS ARE IN INCHES						
DRAWN:		DATE:						
TOLERANCES N/A		TIR: N/A		TITLE ADAPTER, N-FEMALE TO DIN-FEMALE				
SCALE: NTS		SIZE A			CAGE CODE NO. 22424			
SHEET: 1 OF 1		DRAWING NO. ANF-DF-M01						
LTR	PG	DESCRIPTION	DATE	DR	APP	NEXT LEVEL ASSY.	APPROVED:	DATE: