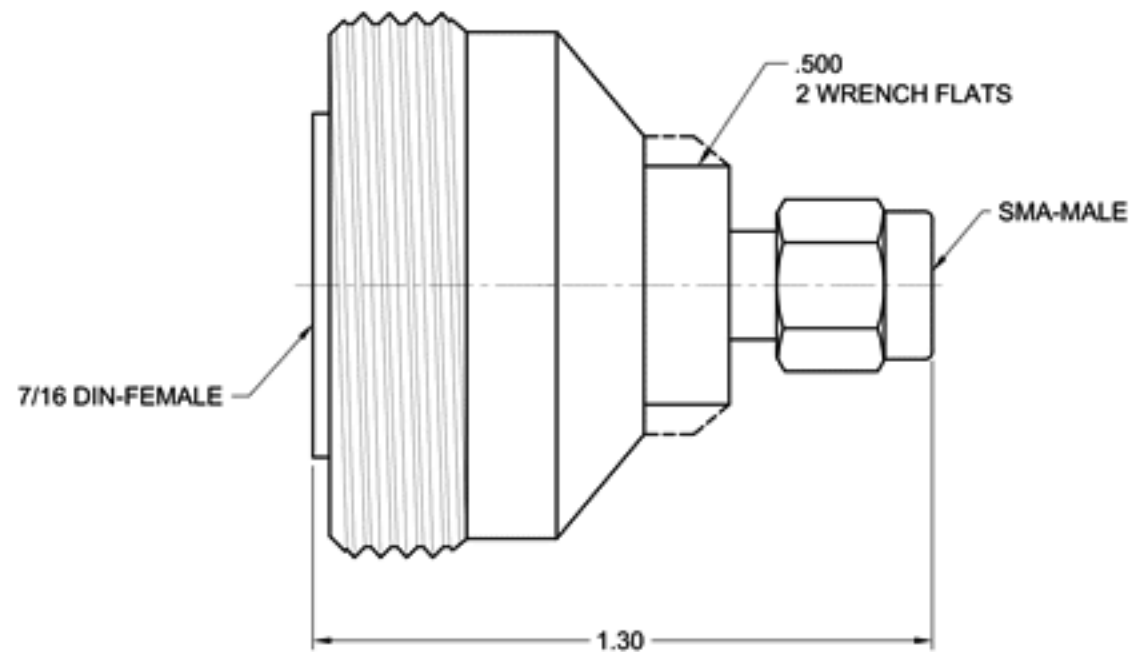


ELECTRICAL SPECIFICATIONS


FREQUENCY RANGE (GHz):	Hz - 8.0
IMPEDANCE (NOMINAL):	50 Ohms
VSWR (MAX):	
Hz - 2.0 GHz:	1.10:1
2.0 - 5.0 GHz:	1.25:1
5.0 - 8.0 GHz:	1.30:1
PASSIVE INTERMODULATION DISTORTION:	LESS THAN -160 dBc, -165 dBc TYPICAL

MECHANICAL SPECIFICATIONS

CONNECTORS:	BRASS, ALBALOY PLATE
CONNECTOR PINS:	BERYLLIUM COPPER, GOLD PLATE
INSULATORS:	PTFE, VIRGIN ELECTRICAL GRADE
TEMPERATURE:	-65°C TO +85°C
WEIGHT (NOMINAL):	2.5 oz



This document gives only a description of the product(s) and shall not form part of any contract. Please contact a MECA Applications Engineer for the most current specification drawing.

MATERIAL: SEE ABOVE		UNLESS OTHERWISE SPECIFIED, DIMENSIONS ARE IN INCHES		 ELECTRONICS, INC. DENVER, NEW JERSEY e-MECA.com	
FINISH: SEE ABOVE		TOLERANCES 2 PLACES: ±.01 3 PLACES: ±.005 ANGLES: N/A			
DRAWN:	DATE:	TIR: N/A		TITLE LOW PIM ADAPTER 7/16 DIN-FEMALE TO SMA-MALE	
APPROVED:	DATE:	SCALE: NTS	SIZE A	CAGE CODE NO. 22424	DRAWING NO. ADF-SM
LTR	PG	DESCRIPTION	DATE	DR	APP