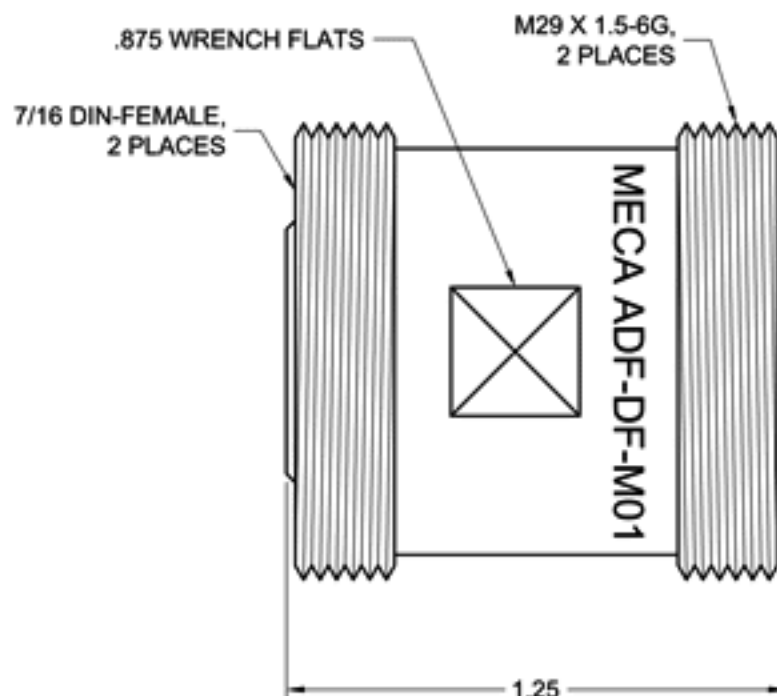


SPECIFICATIONS


FREQUENCY RANGE (GHz): DC - 8 GHz
 IMPEDANCE (NOMINAL): 50 Ohms
 TEMPERATURE RANGE: -65°C TO +85°C
 VSWR: Hz - 1.0 1.05:1
 1.0 - 5.0 1.15:1
 5.0 - 8.0 1.25:1
 PIM: < -165 dBc

MFG CODE	DESCRIPTION
/M	DIN-FEMALE TO DIN-FEMALE ADAPTER



BODY: BRASS, ALBALOY PLATED
 CENTER CONTACT: BeCu, SILVER PLATED

This document gives only a description of the product(s) and shall not form part of any contract. Please contact a MECA Applications Engineer for the most current specification drawing.

MATERIAL: SEE ABOVE		TOP LEVEL ASSY: VARIOUS		 ELECTRONICS, INC. DENVER, NEW JERSEY e-MECA.com			
FINISH: SEE ABOVE		UNLESS OTHERWISE SPECIFIED, DIMENSIONS ARE IN INCHES					
DRAWN:		TOLERANCES N/A					
DATE:	TIR: N/A	SCALE: NTS		TITLE ADAPTER, DIN-FEMALE TO DIN-FEMALE			
APPROVED:	DATE:	SIZE A	CAGE CODE NO. 22424		DRAWING NO. ADF-DF-M01		
LTR	PG	DESCRIPTION	DATE	DR	APP	NEXT LEVEL ASSY.	SHEET: 1 OF 1