

# ATTENUATORS

2.4mm, up to 50 GHz, 0.5 Watts

## SPECIFICATIONS:

Models: 40 EH-XX & 50EH-XX

**RoHS**  
Compliant

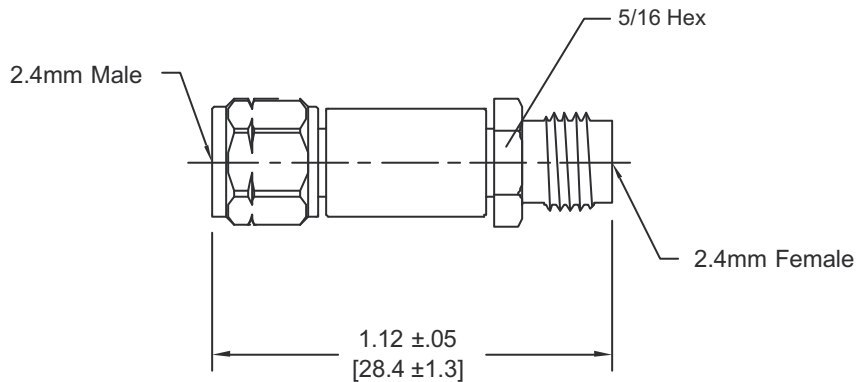


<b>Electrical:</b>			
Frequency Range	DC - 50 GHz		
Standard Freq. Values	40 & 50 GHz		
*Standard dB Values	0, 3, 6, 10, 20 & 30 dB		
Attenuation Accuracy	DC - 26.5 GHz	26.5 - 40 GHz	40 - 50 GHz
0, 3, 6 & 10 dB	±0.5 dB	±1.0 dB	±1.5 dB
20 & 30 dB	±0.75 dB	±1.25 dB	±2.0 dB
<b>VSWR</b>			
DC - 26.5 GHz	1.35:1 Max.		
26.5 - 40 GHz	1.60:1 Max.		
40 - 50 GHz	1.75:1 Max.		
Input Power	0.5 Watts Avg. @ +25°C		
	Derated Linearly to 0.1 Watts @ +125°C		
Impedance	50 Ohms		
Operating Temp Range	-45°C to +85°C		
<b>Mechanical:</b>			
2.4mm Connectors	Gold Plated Beryllium Copper		
	(Mates with 1.85mm & V* Connectors)		
Conductors	Gold Plated Beryllium Copper		
Barrel & Coupling Nut**	Passivated Stainless Steel		

\*\* For a Gold Plated Barrel & Coupling Nut add /AU to the Model Number  
\*V is a trademark of Anritsu Corp.

Model Number: **40EH-XX**  
Frequency Range: DC - 40 GHz

Model Number: **50EH-XX**  
Frequency Range: DC - 50 GHz



### HOW TO ORDER:

Model Number: **XXEH-XX/FF**

Freq. Range: 40 = DC - 40 GHz, 50 = DC - 50 GHz  
 Finish: = Passivated Barrel & Coupling Nut, /AU = Gold Plated Barrel & Coupling Nut  
 dB Value

Ordering Examples:

Model Number: **50EH-10**  
DC - 50 GHz, 10dB

Model Number: **40EH-6**  
DC - 40 GHz, 6dB

Note: Dimensions in Brackets are Expressed in Millimeters and are for Reference Only.

50EH-ATT: REV F



Aeroflex / Inmet, Inc. 300 Dino Drive, Ann Arbor, MI 48103 • U.S.A.  
888-244-6638 or 734-426-5553 • FAX: 734-426-5557  
[www.aeroflex-inmet.com](http://www.aeroflex-inmet.com) • [inmet-sales@eroflex.com](mailto:inmet-sales@eroflex.com)