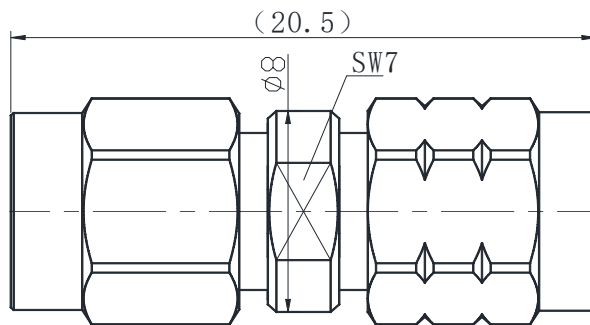


2.92MM(MALE)-1.85MM(MALE)

2.92/1.85-JJS

*Dimensions are in mm

Configuration

| | |
|------------------------|-------------|
| Connector 1 Type | 2.92mm Male |
| Connector 1 Impedance | 50 Ohms |
| Connector 1 Polarity | Standard |
| Connector 2 Type | 1.85mm Male |
| Connector 2 Impedance | 50 Ohms |
| Connector 2 Polarity | Standard |
| Connector Mount Method | None |
| Adapter Body Style | Straight |

Electrical Specifications

| | |
|---------------------|---|
| Frequency | DC to 40 GHz |
| Insertion Loss (dB) | $\leq 0.05 \times \text{Sqrt.}(f_GHz)$ |
| VSWR /Return Loss | 1.15 to 40 GHz |

Materials Information

| | |
|----------------|------------------|
| Center Contact | CuBe Gold Plated |
| Outer Contact | Stainless Steel |
| Body | Stainless Steel |
| Dielectric | PEI |

Environmental Data

| | |
|-------------------|-----------------|
| Temperature Range | -55°C to +165°C |
| 2002/95/EC(RoHS) | Compliant |

While the information has been carefully compiled to the best of our knowledge, nothing is intended as representation or warranty of our part and no statement herein shall be construed as recommendation to infringe existing patents. In the effort to improve our products, we reserve the right to make changes judged to be necessary.