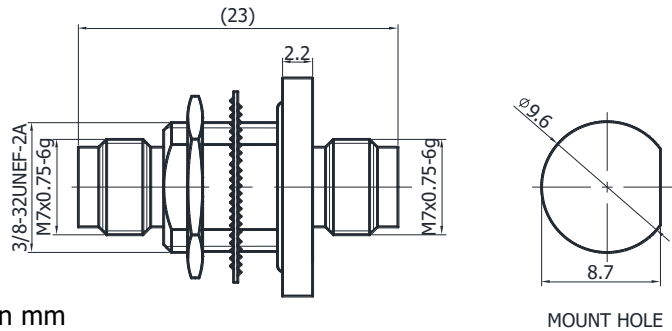


2.4MM(FEMALE)-2.4MM(FEMALE)
WITH BULKHEAD**2.4(M)-KYKE**

*Dimensions are in mm

Configuration

Connector 1 Type	2.4mm Female
Connector 1 Impedance	50 Ohms
Connector 1 Polarity	Standard
Connector 2 Type	2.4mm Female
Connector 2 Impedance	50 Ohms
Connector 2 Polarity	Standard
Connector Mount Method	Bulkhead
Adapter Body Style	Straight

Electrical Specifications

Frequency	DC to 50 GHz
Insertion Loss (dB)	$\leq 0.05 \times \text{Sqrt.}(f_GHz)$
VSWR /Return Loss	1.50
Working voltage	$\leq 250V(\text{rms})$
Dielectric withstanding voltage	750V(rms)
Insulation resistance	$\geq 5000M \Omega$

Materials Information

Center Contact	CuBe Gold Plated
Outer Contact	Stainless Steel
Body	Stainless Steel
Support beads	Glass

Environmental Data

Durability	500 Cycles
Temperature Range	-65°C to +165°C
2011/65/EU(RoHS)	Compliant

While the information has been carefully compiled to the best of our knowledge, nothing is intended as representation or warranty on our part and no statement herein shall be construed as recommendation to infringe existing patents. In the effort to improve our products, we reserve the right to make changes judged to be necessary.