

ATTENUATORS

GPO™ / DC - 18 GHz, 2 Watts

SPECIFICATIONS:

Models: G, GL, P, PL

RoHS
Compliant

AEROFLEX
A passion for performance.

Electrical:

Frequency Range _____ DC - 18 GHz
Standard dB Values _____ 0 - 13, 20 & 30 dB
In 1 dB Increments

Atten. Accuracy:

0 - 6 dB _____ ±0.4 dB
7 - 12 dB _____ ±0.6 dB
13, 20 & 30 dB _____ ±0.8 dB

VSWR

DC - 8 GHz _____ 1.25:1 Max.
8 - 18 GHz _____ 1.35:1 Max.

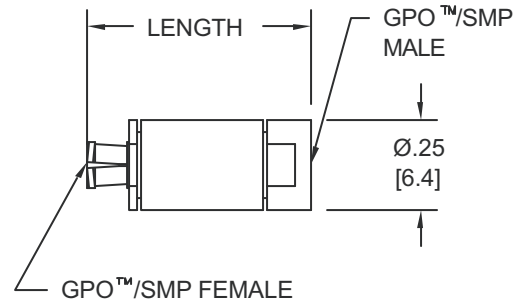
Input Power _____ 2 Watts Avg. @ 25°C
Derated Linearly to 0.5 Watts @ +125°C

Impedance _____ 50 Ohms
Operating Temp Range _____ -55°C to +85°C

Mechanical:

GPO™/SMP Connectors _____ Gold Plated Beryllium Copper
GPO Connectors Mate with SMP Connectors IAW MIL-STD-348

Conductors _____ Gold Plated Beryllium Copper
Barrel** _____ Passivated Stainless Steel



** For a Gold Plated Barrel add /AU to the Model Number

GPO is a trademark of Corning Gilbert Inc.

| Base Model Number | Connector Configuration | LENGTH | | | |
|--|-------------------------|-----------|----------------|----------------|----------------|
| | | 0 - 12 dB | | 13, 20 & 30 dB | |
| | | Inches | Millimeters | Inches | Millimeters |
| 18G-yy, 18GL-yy 18P-yy, 18PL-yy | Male/Female | .61 ±.05 | [15.49 ± 1.27] | .74 ±.05 | [18.80 ± 1.27] |
| 18G-yyM, 18GL-yyM 18P-yyM, 18PL-yyM | Male/Male | .59 ±.05 | [14.99 ± 1.27] | .72 ±.05 | [18.29 ± 1.27] |
| 18G-yyF 18P-yyF | Female/Female | .63 ±.05 | [16.00 ± 1.27] | .76 ±.05 | [19.30 ± 1.27] |

HOW TO ORDER:

Model Number: **18yz-XXY/FF**

Connector Configuration

= Male/Female
F = Female/Female
M = Male/Male

Finish

= Passivated Barrel
/AU = Gold Plated Barrel

dB Value

Connector Style

= Full Detent Male Interface
Force is Engage: 15.0 Lbs. Max.

L = Limited Detent Male Interface

Force is Engage: 5.0 Lbs. Max.

Connector Type

G = GPO™ Connectors
P = SMP Connectors

Ordering Examples:

Model Number: **18G-20**
DC - 18 GHz; GPO™ Male/female
Male has Full Detent Interface

Model Number: **18PL-03**
DC - 26.5 GHz; SMP Male/Female
Male has Limited Detent Interface

Note: Dimensions in Brackets are Expressed in Millimeters and are for Reference Only.
Design, specifications are subject to change without notice. Contact factory for technical specifications before purchasing and/or use.

18G-ATT: REV -

AEROFLEX
INMET

Aeroflex / Inmet, Inc. 300 Dino Drive, Ann Arbor, MI 48103 • U.S.A.
888-244-6638 or 734-426-5553 • FAX: 734-426-5557
www.aeroflex-inmet.com • inmet-sales@eroflex.com