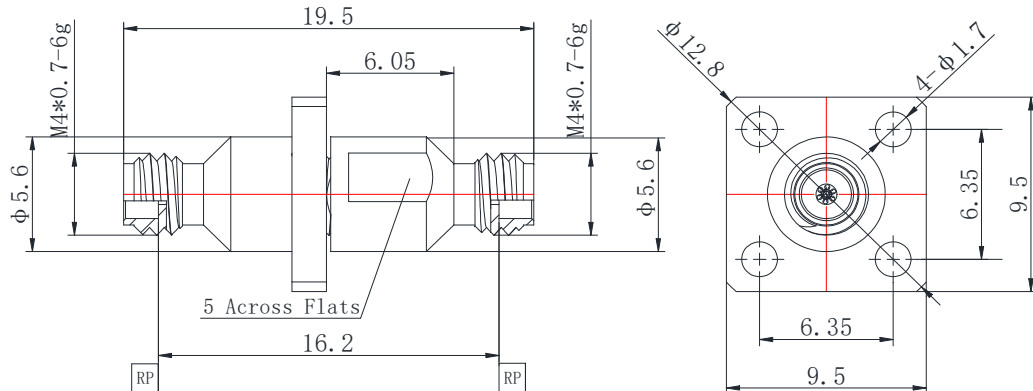


1.0MM(FEMALE)-1.0MM(FEMALE)

1.0-KFKS

*Dimensions are in mm

Configuration

Connector 1 Type	1.0mm Female
Connector 1 Impedance	50 Ohms
Connector 1 Polarity	Standard
Connector 2 Type	1.0mm Female
Connector 2 Impedance	50 Ohms
Connector 2 Polarity	Standard
Connector Mount Method	4 Hole Flange
Adapter Body Style	Straight

Electrical Specifications

Frequency	DC to 110 GHz
Insertion Loss (dB)	≤0.5
VSWR /Return Loss	1.35

Materials Information

Center Contact	CuBe Gold Plated
Outer Contact	CuBe Gold Plated
Body	CuBe Gold Plated
Dielectric	CPS

Environmental Data

Temperature Range	-55°C to +85°C
2011/65/EU(RoHS)	Compliant

While the information has been carefully compiled to the best of our knowledge, nothing is intended as representation or warranty on our part and no statement herein shall be construed as recommendation to infringe existing patents. In the effort to improve our products, we reserve the right to make changes judged to be necessary.